

TBD-MAR6-19 BATTERY

Technical Datasheet

Technical Specifications

Part No.	TBD-MAR6-19
Chemistry	Lithium Iron Phosphate (LiFePO4)

Electrical Parameters

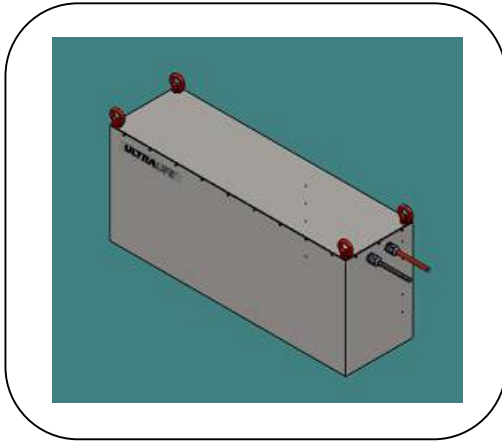
Nominal voltage	12.8 V
Nominal capacity	400 Ah
Max. charge current	150 A
Max. charge voltage	14.6 V
Cont. discharge	150 A
Peak discharge	150 A
Life expectancy @ 25°C 0.2C Charge/0.2C Discharge	>2000 cycles with min 80% of initial capacity
Energy	5.12 KWh

Safety Parameters PCM

Over-charge detection voltage	3650mV/cell ± 0.025 Volts
Over-discharge detection voltage	2500mV/cell ± 0.063 Volts
Operating temperature	0°C to 45°C (charge) -20°C to 60°C (discharge)
Storage temperature	-20°C to 60°C max -20°C to 20°C recommended

Physical Parameters

Length	770mm
Width	220mm
Height	330mm
Weight	90 Kgs
Contacts Output	Flying Leads
Enclosure	Metal Enclosure with Power coated



Features

- High energy density.
- Built-in Protection Module
- Comprehensive charging/ discharging and passive safety systems.

Application

- Suitable for use in Lighting System and Back-Up Systems

Dimensional Drawing

