

UHR-CR26650

Technical Datasheet



Features

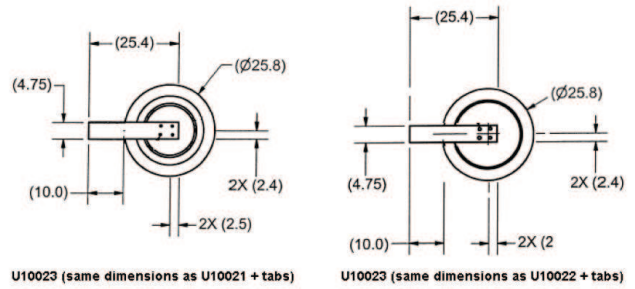
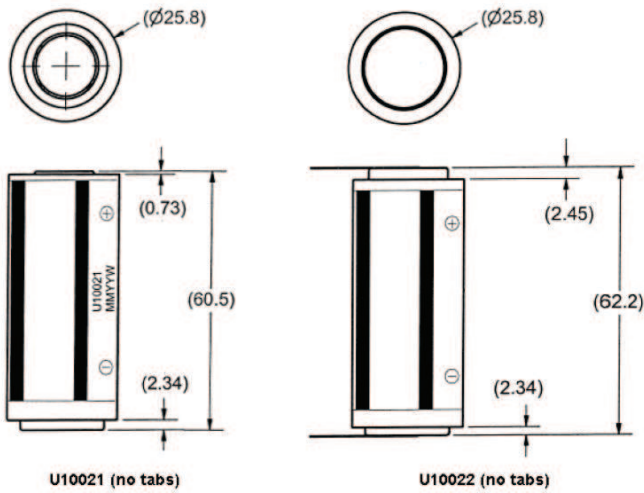
- High energy density
- No voltage delay
- Wide operating temperature range
- Lightweight
- Up to 10-year shelf life
- Long operating life
- Cell is hermetically sealed Ni-plated steel can

Applications

- Consumer telematics
- Commercial telematics
- Search & rescue devices
- Military communications, detectors & imaging
- Medical devices

Technical Specifications	
Part No.	U10021, U10022, U10023, U10024
Voltage Range	1.5 to 3.3V
Average Voltage	3.0V
Nominal Capacity	6.1Ah @ 150mA to 2.0V @ 23°C
Max. Discharge	2.5A continuous
Pulse Capability	Up to 5.3A Varies according to pulse characteristics, temperature, cell history and the application. Consult Ultralife.
PTC	U10022 and 10024 have PTC (re-settable fuse) U10021 and U10023 do NOT
Weight	71.0g
Operating Temperature	-40°C to 72°C
Storage Temperature	-40°C to 95°C
Exterior/Housing	Hermetic Ni-plated steel can. End caps, tabs and insulating sleeve
Terminals/Connector	Flat Ni-plated +/- End Caps: U10021 and U10022 Flat Ni-plated +/- End Caps with Nickel Tabs: U10023 and U10024
Safety	UL component recognized Material Safety Datasheet - MSDS066 Safety Guide UBM-5135
Transportation	Class 9 - U.S. and International (see note)
Note	A complete description of transportation regulations, lithium weights and transportation classifications is available on the Ultralife website.

Dimensions



Performance Graphs

