

# UI06H02001 BATTERY

## Technical Datasheet - Tentative

### Technical Specifications

Part No.	UI06H02001
Chemistry	Lithium Iron Phosphate (LiFePO4)

### Electrical Parameters

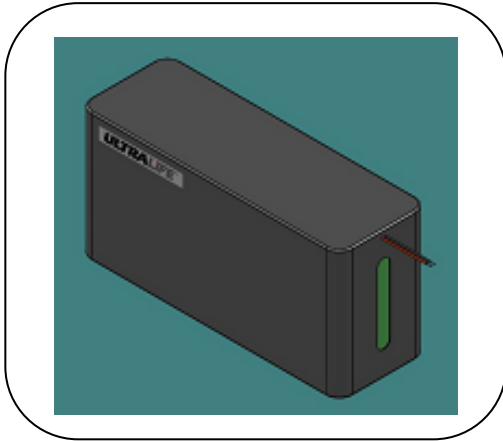
Nominal voltage	19.2 V
Nominal capacity	6 Ah
Max. charge current	3 A
Max. charge voltage	21.9 V
Cont. discharge	5 A
Peak discharge	5 A
Life expectancy @ 25°C 0.2C Charge/0.2C Discharge	>2000 cycles with min 80% of initial capacity
Energy	115.2 Wh

### Safety Parameters PCM

Over-charge detection voltage	3650mV/cell ± 0.025 Volts
Over-discharge detection voltage	2500mV/cell ± 0.063 Volts
Operating temperature	0°C to 45°C (charge) -20°C to 60°C (discharge)
Storage temperature	-20°C to 60°C max -20°C to 20°C recommended

### Physical Parameters

Length	160mm
Width	78mm
Height	55mm
Weight	1100 grms
Contacts Output	Flying Leads
Enclosure	PVC Shrink Wrap



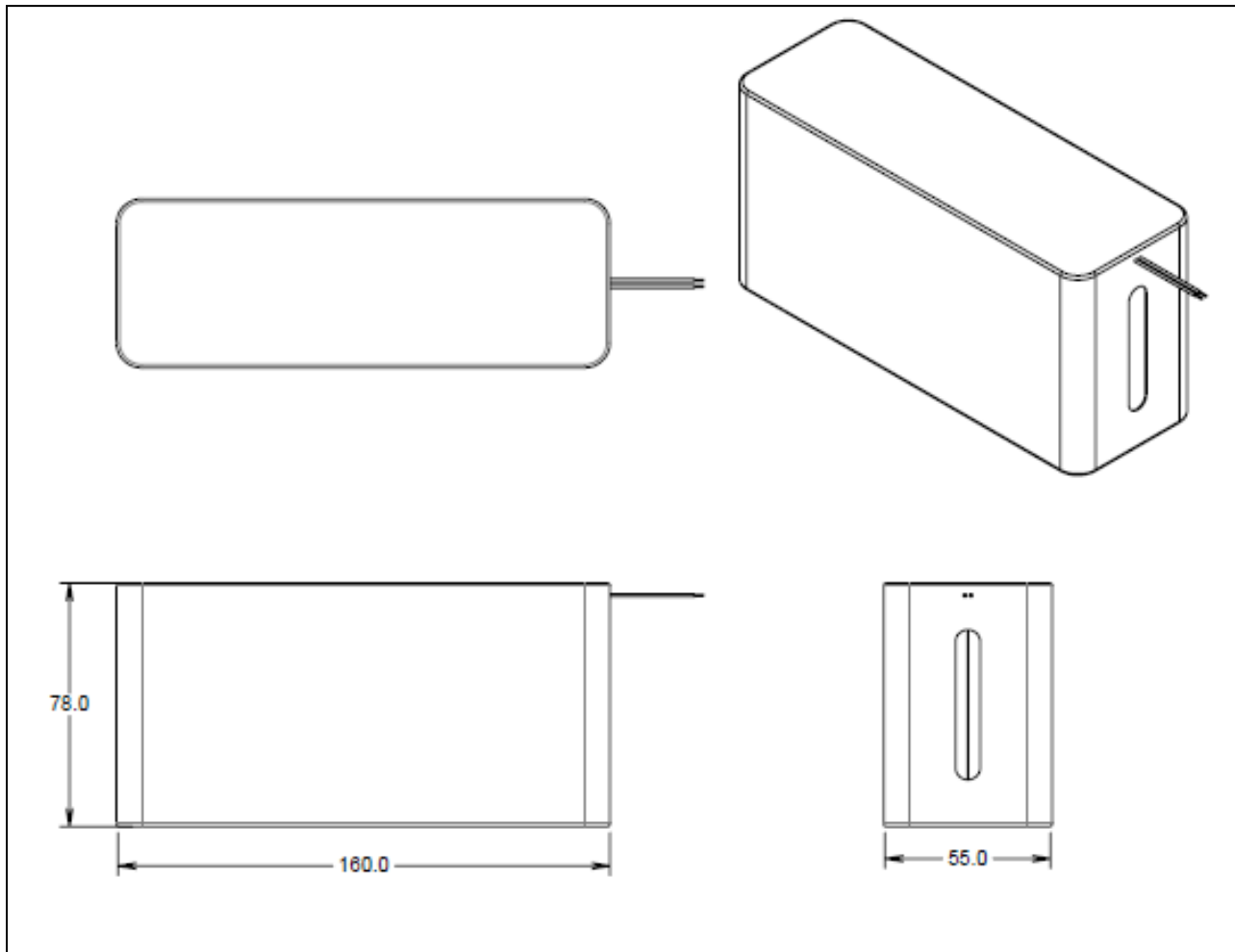
### Features

- High energy density.
- Built-in Protection Module
- Comprehensive charging/ discharging and passive safety systems.

### Application

- Suitable for use in Lighting System and Back-Up Systems

# Dimensional Drawing



UI06H02001

Ultralife Batteries India Private Limited

No. 38B1 Part, Doddanakundi Industrial Area, 1st Phase, Mahadevapura, Bangalore 560 048

Phone : +91 80 28524680 , +91 80 28524690

07 July 2017 UI06H01003 Rev:0

Page 2 of 2