

UI08H01006 BATTERY

Technical Datasheet - Tentative

Technical Specifications

| | |
|-----------|----------------------------------|
| Part No. | UI08H01006 |
| Chemistry | Lithium Iron Phosphate (LiFePO4) |

Electrical Parameters

| | |
|--|--|
| Nominal voltage | 25.6 V |
| Nominal capacity | 100 Ah |
| Max. charge current | 20 A |
| Max. charge voltage | 29.2 V |
| Cont. discharge | 100 A |
| Peak discharge | 100 A |
| Life expectancy @ 25°C 0.2C Charge/0.2C Discharge | >2000 cycles with min 80% of initial capacity |
| Energy | 2.56 KWh |

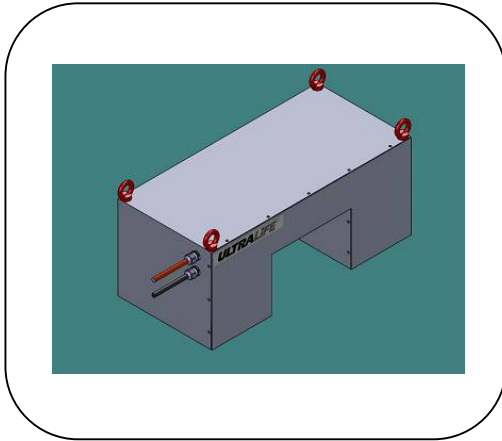
Safety Parameters PCM

| | |
|----------------------------------|---------------------------|
| Over-charge detection voltage | 3650mV/cell ± 0.025 Volts |
| Over-discharge detection voltage | 2500mV/cell ± 0.063 Volts |

| | |
|-----------------------|---|
| Operating temperature | 0°C to 45°C (charge) -20°C to 60°C (discharge) |
| Storage temperature | -20°C to 60°C max -20°C to 20°C recommended |

Physical Parameters

| | |
|-----------------|--------------------------|
| Length | 605mm |
| Width | 285mm |
| Height | 255mm |
| Weight | 45 Kg |
| Contacts Output | Flying Leads |
| Enclosure | Sheet Metal Power Coated |



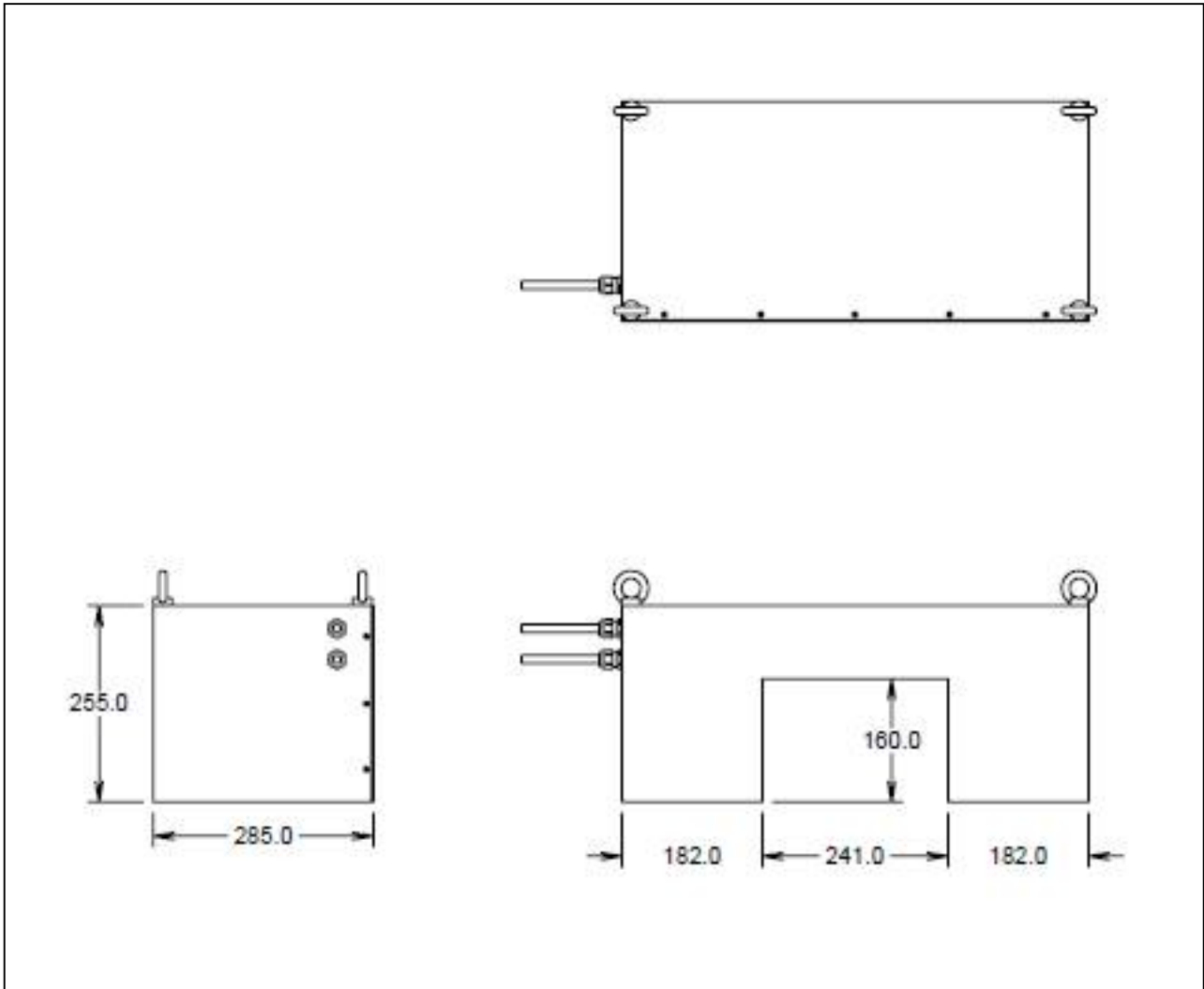
Features

- High energy density.
- Built-in Protection Module
- Comprehensive charging/ discharging and passive safety systems.

Application

- Suitable for use in Backup Systems and Industrial Robotics

Dimensional Drawing



UI08H01006

Ultralife Batteries India Private Limited

No. 38B1 Part, Doddanakundi Industrial Area, 1st Phase, Mahadevapura, Bangalore 560 048

Phone : +91 80 28524680 , +91 80 28524690

04 September 18 UI08H01006 Rev:0