

UI08H03002 BATTERY

Technical Datasheet - Tentative

Technical Specifications

Part No.	UI08H03002
Chemistry	Lithium Iron Phosphate (LiFePO4)

Electrical Parameters

Nominal voltage	25.6 V
Nominal capacity	9 Ah
Max. charge current	5 A
Max. charge voltage	29.2 V
Cont. discharge	10 A
Peak discharge	10 A
Life expectancy @ 25°C 0.2C Charge/0.2C Discharge	>2000 cycles with min 80% of initial capacity
Energy	230.4 Wh

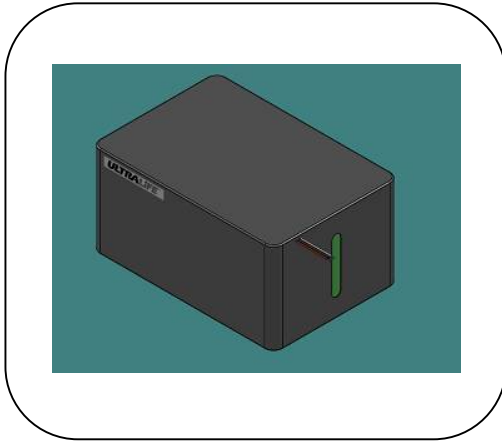
Safety Parameters PCM

Over-charge detection voltage	3650mV/cell ± 0.025 Volts
Over-discharge detection voltage	2500mV/cell ± 0.063 Volts

Operating temperature	0°C to 45°C (charge) -20°C to 60°C (discharge)
Storage temperature	-20°C to 60°C max -20°C to 20°C recommended

Physical Parameters

Length	160mm
Width	110mm
Height	80mm
Weight	2.1 Kg
Contacts Output	Flying Leads
Enclosure	PVC Shrink Wrap



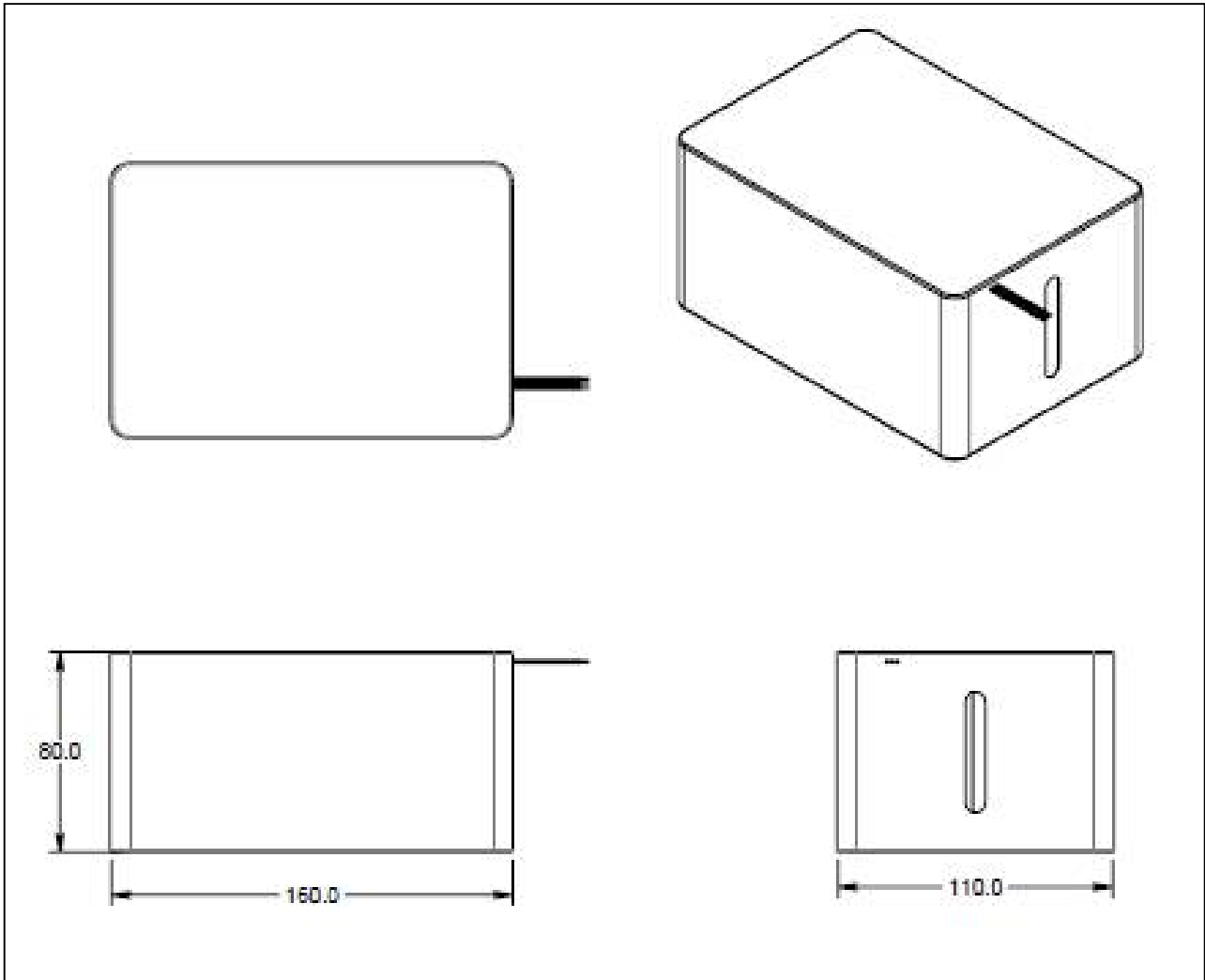
Features

- High energy density.
- Built-in Protection Module
- Comprehensive charging/ discharging and passive safety systems.
- NTC Output with 10K

Application

- Suitable for use in Backup Systems, AGV's and Communication Devices

Dimensional Drawing



UI08H03002

Ultralife Batteries India Private Limited

No. 38B1 Part, Doddanakundi Industrial Area, 1st Phase, Mahadevapura, Bangalore 560 048

Phone : +91 80 28524680 , +91 80 28524690

19 April 19 UI08H03002 Rev:1

Page 2 of 2