

UI08H04002 BATTERY

Technical Datasheet

Technical Specifications

Part No.	UI08H04002
Chemistry	Lithium Iron Phosphate (LiFePO4)

Electrical Parameters

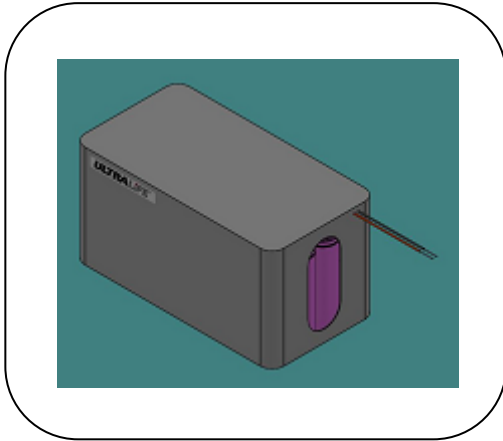
Nominal voltage	25.6 V
Nominal capacity	6 Ah
Max. charge current	5 A
Max. charge voltage	29.2 V
Cont. discharge	15 A
Life expectancy @ 25°C 0.2C Charge/0.2C Discharge	>2000 cycles with min 80% of initial capacity
Energy	153.6 Wh

Safety Parameters PCM

Over-charge detection voltage	3650mV/cell ± 0.025 Volts
Over-discharge detection voltage	2500mV/cell ± 0.063 Volts
Operating temperature	0°C to 45°C (charge) -20°C to 60°C (discharge)
Storage temperature	-20°C to 60°C max -20°C to 20°C recommended

Physical Parameters

Length	152mm
Width	82mm
Height	78mm
Weight	1.6 Kg
Contacts Output	Flying Leads
Enclosure	PVC Shrink Wrap



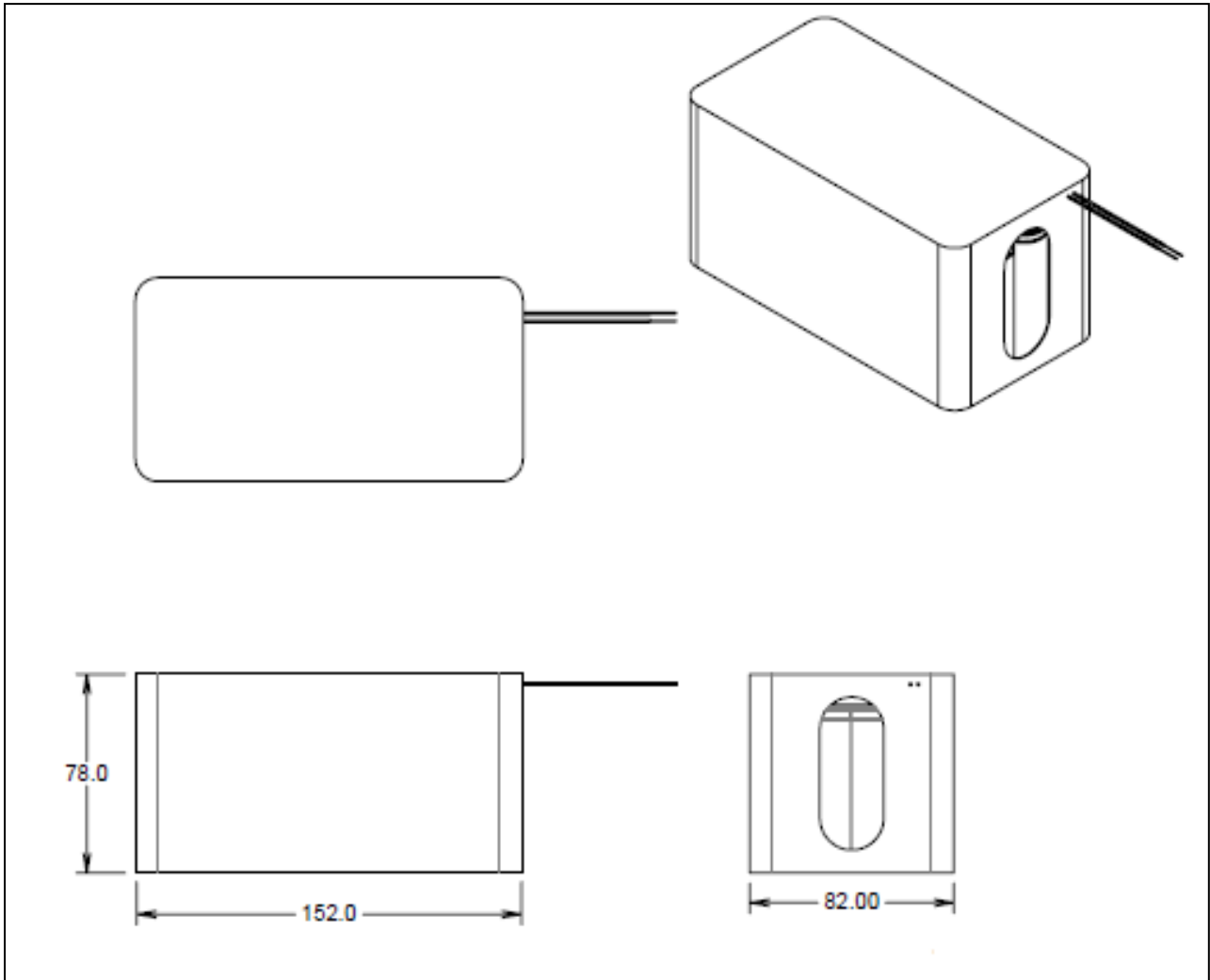
Features

- High energy density.
- Built-in Protection Module
- Comprehensive charging/ discharging and passive safety systems.

Application

- Suitable for use in Backup Systems, AGV's and Communication Devices

Dimensional Drawing



UI08H04002

Ultralife Batteries India Private Limited

No. 38B1 Part, Doddanakundi Industrial Area, 1st Phase, Mahadevapura, Bangalore 560 048

Phone : +91 80 28524680 , +91 80 28524690

11 Jan 18 UI08H04002 Rev:0

Page 2 of 2