

UI08H05001 BATTERY

Technical Datasheet - Tentative

Technical Specifications

Part No.	UI08H05001
Chemistry	Lithium Iron Phosphate (LiFePO4)

Electrical Parameters

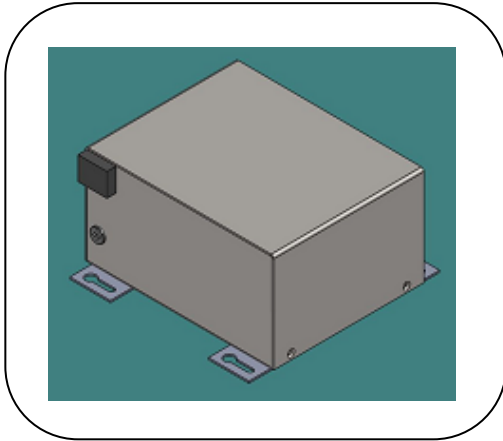
Nominal voltage	25.6 V
Nominal capacity	7.5 Ah
Max. charge current	5 A
Max. charge voltage	29.2 V
Cont. discharge	20 A
Peak discharge	20 A
Life expectancy @ 25°C 0.2C Charge/0.2C Discharge	>2000 cycles with min 80% of initial capacity
Energy	192 Wh

Safety Parameters PCM

Over-charge detection voltage	3650mV/cell ± 0.025 Volts
Over-discharge detection voltage	2500mV/cell ± 0.063 Volts
Operating temperature	0°C to 45°C (charge) -20°C to 60°C (discharge)
Storage temperature	-20°C to 60°C max -20°C to 20°C recommended

Physical Parameters

Length	165mm
Width	130mm
Height	85 mm
Weight	3.6 Kg
Contacts Output	Flying Leads
Enclosure	Sheet Metal Powder Coated



Features

- High energy density.
- Built-in Protection Module
- Comprehensive charging/ discharging and passive safety systems.

Application

- Suitable for use in Backup Systems and Communication Devices

Dimensional Drawing

