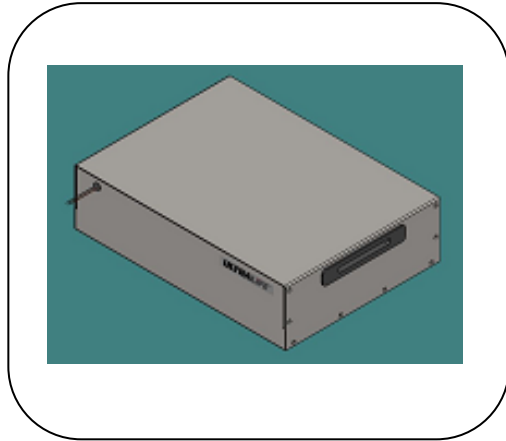


UI08H13001 BATTERY

Technical Datasheet - Tentative

Technical Specifications



Part No.	UI08H13001
Chemistry	Lithium Iron Phosphate (LiFePO4)

Electrical Parameters

Nominal voltage	25.6V
Nominal capacity	39 Ah
Max. charge current	20 A Max
Max. charge voltage	29.2V
Cont. discharge	30 A Max
Life expectancy @ 25°C 0.2C Charge/0.2C Discharge	>2000 cycles with min 80% of initial capacity
Energy	998.4 Wh

Features

- High energy density.
- Built-in Protection Module
- Comprehensive charging/ discharging and passive safety systems.

Application

- Suitable for use with Communication Systems, Medical application and Robotics

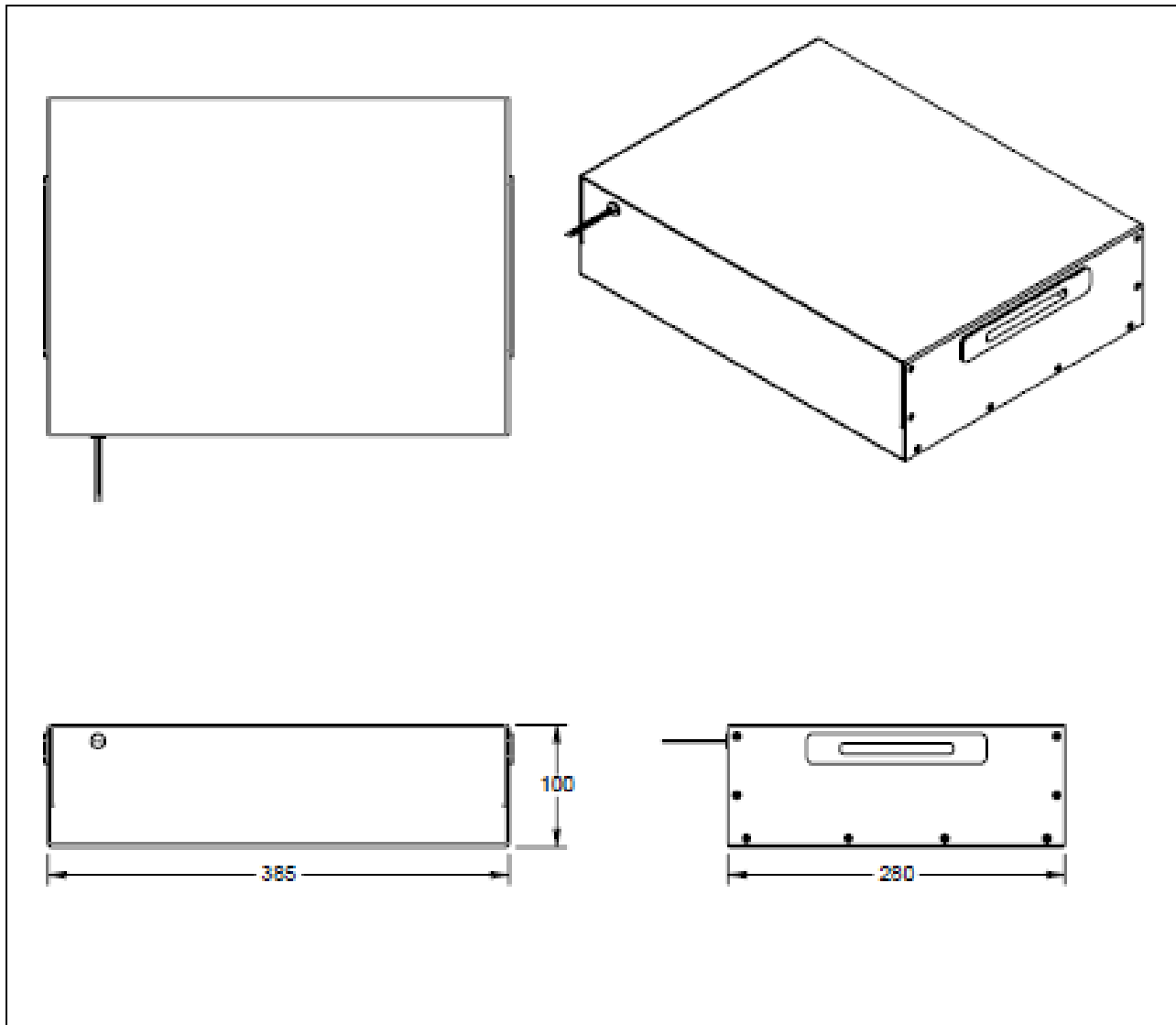
Safety Parameters PCM

Over-charge detection voltage	3650mV/cell ± 0.025 Volts
Over-discharge detection voltage	2500mV/cell ± 0.063 Volts
Operating temperature	0°C to 45°C (charge) -20°C to 60°C (discharge)
Storage temperature	-20°C to 60°C max -20°C to 20°C recommended

Physical Parameters

Length	385mm
Width	280mm
Height	100mm
Weight	15 Kgs
Contacts Output	Flying Leads
Enclosure	Sheet Metal Powder Coated

Drawing



UI08H13001

Ultralife Batteries India Private Limited

No. 38B1 Part, Doddanakundi Industrial Area, 1st Phase, Mahadevapura, Bangalore 560 048

Phone : +91 80 28524680 , +91 80 28524690

19 Apr 18 UI08H13001 Rev:0

Page 2 of 2