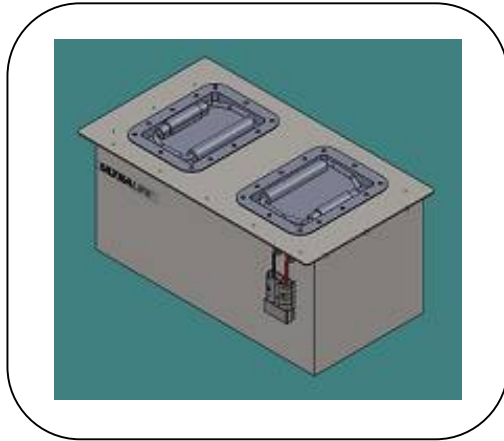


UI08H18001 BATTERY

Technical Datasheet - Tentative

Technical Specifications



Part No.	UI08H18001
Chemistry	Lithium Iron Phosphate (LiFePO4)

Electrical Parameters

Nominal voltage	25.6V
Nominal capacity	54 Ah
Max. charge current	30 A Max
Max. charge voltage	29.2V
Cont. discharge	30 A Max
Life expectancy @ 25°C 0.2C Charge/0.2C Discharge	>2000 cycles with min 80% of initial capacity
Energy	1.38 KWh

Features

- High energy density.
- Built-in Protection Module
- Comprehensive charging/ discharging and passive safety systems.

Application

- Suitable for use with Industrial Robotics and Backup power

Safety Parameters PCM

Over-charge detection voltage	3650mV/cell ± 0.025 Volts
Over-discharge detection voltage	2500mV/cell ± 0.063 Volts
Operating temperature	0°C to 45°C (charge) -20°C to 60°C (discharge)
Storage temperature	-20°C to 60°C max -20°C to 20°C recommended

Physical Parameters

Length	360mm
Width	175mm
Height	155mm
Weight	18kg
Contacts Output	Anderson Connector
Enclosure	Sheet Metal Powder Coated

Dimensional Drawing

