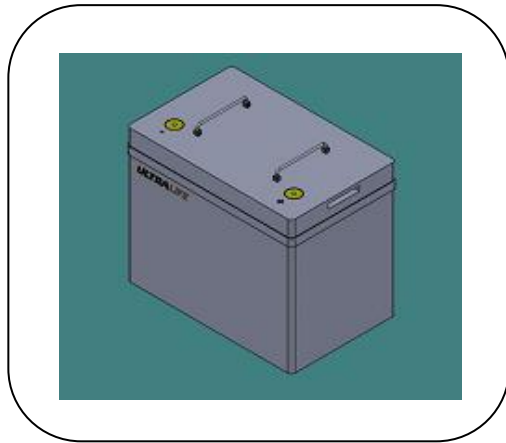


UI08H22001 BATTERY

Technical Datasheet - Tentative

Technical Specifications



Part No.	UI08H22001
Chemistry	Lithium Iron Phosphate (LiFePO4)

Electrical Parameters

Nominal voltage	25.6V
Nominal capacity	33 Ah
Max. charge current	10 A Max
Max. charge voltage	29.2V
Cont. discharge	30 A Max
Life expectancy @ 25°C 0.2C Charge/0.2C Discharge	>2000 cycles with min 80% of initial capacity
Energy	844.8 Wh

Features

- High energy density.
- Built-in Protection Module
- Comprehensive charging/ discharging and passive safety systems.

Application

- Suitable for use with Industrial Robotics and Backup power

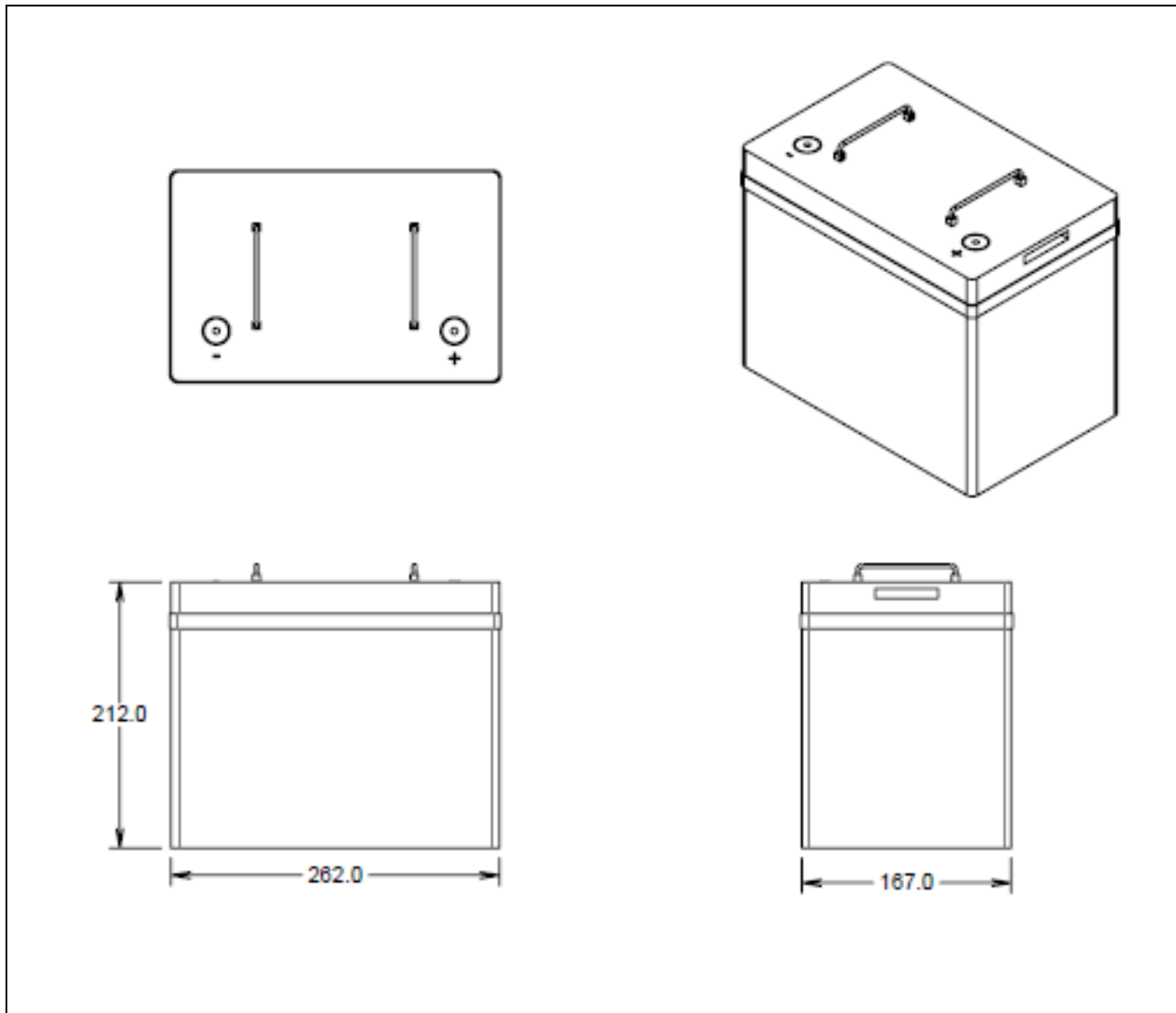
Safety Parameters PCM

Over-charge detection voltage	3650mV/cell ± 0.025 Volts
Over-discharge detection voltage	2500mV/cell ± 0.063 Volts
Operating temperature	0°C to 45°C (charge) -20°C to 60°C (discharge)
Storage temperature	-20°C to 60°C max -20°C to 20°C recommended

Physical Parameters

Length	262mm
Width	167mm
Height	212mm
Weight	9.5kg
Contacts Output	Terminals
Enclosure	ABS Plastic

Dimensional Drawing



UI08H22001

Ultralife Batteries India Private Limited

No. 38B1 Part, Doddanakundi Industrial Area, 1st Phase, Mahadevapura, Bangalore 560 048

Phone : +91 80 28524680 , +91 80 28524690

30 Oct 19 UI08H22001 Rev:0