

UI22H01001 BATTERY

Technical Datasheet - Tentative

Technical Specifications

| | |
|-----------|----------------------------------|
| Part No. | UI22H01001 |
| Chemistry | Lithium Iron Phosphate (LiFePO4) |

Electrical Parameters

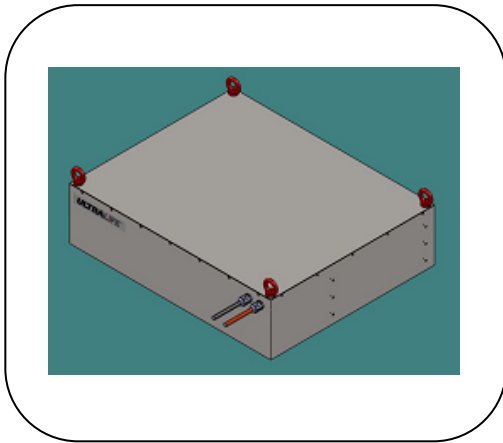
| | |
|------------------------------------------------------|--------------------------------------------------|
| Nominal voltage | 70.4 V |
| Nominal capacity | 50 Ah |
| Max. charge current | 50 A |
| Max. charge voltage | 80.30 V |
| Cont. discharge | 50 A Max |
| Life expectancy @ 25°C 0.2C Charge/0.2C Discharge | >2000 cycles with min 80% of initial capacity |
| Energy | 3.52 KWh |

Safety Parameters PCM

| | |
|----------------------------------|---------------------------------------------------|
| Over-charge detection voltage | 3650mV/cell ± 0.025 Volts |
| Over-discharge detection voltage | 2500mV/cell ± 0.063 Volts |
| Operating temperature | 0°C to 45°C (charge) -20°C to 60°C (discharge) |
| Storage temperature | -20°C to 60°C max -20°C to 20°C recommended |

Physical Parameters

| | |
|-----------------|---------------------------|
| Length | 685mm |
| Width | 558mm |
| Height | 180mm |
| Weight | 75 Kgs |
| Contacts Output | Flying Leads |
| Enclosure | Sheet Metal Powder coated |



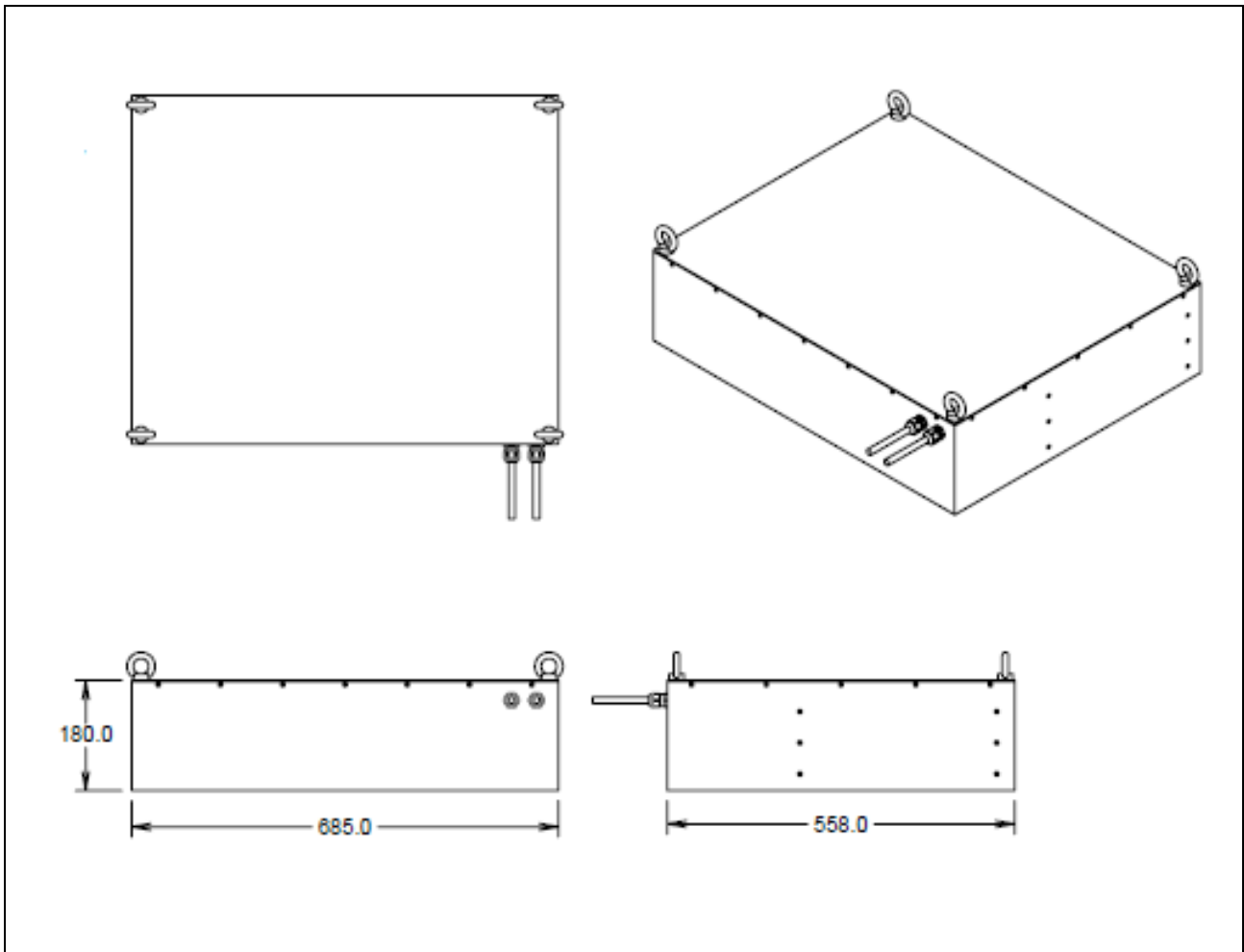
Features

- High energy density.
- Built-in Protection Module
- Comprehensive charging/ discharging and passive safety systems.

Application

- Suitable for use in Lighting System, EV and Back-Up Systems

Dimensional Drawing



UI22H01001

Ultralife Batteries India Private Limited

No. 38B1 Part, Doddanakundi Industrial Area, 1st Phase, Mahadevapura, Bangalore 560 048

Phone : +91 80 28524680 , +91 80 28524690

26 Feb 2020 UI22H01001 Rev:0

Page 2 of 2