

UI22H20001 BATTERY

Technical Datasheet - Tentative

Technical Specifications

Part No.	UI22H20001
Chemistry	Lithium Iron Phosphate (LiFePO4)

Electrical Parameters

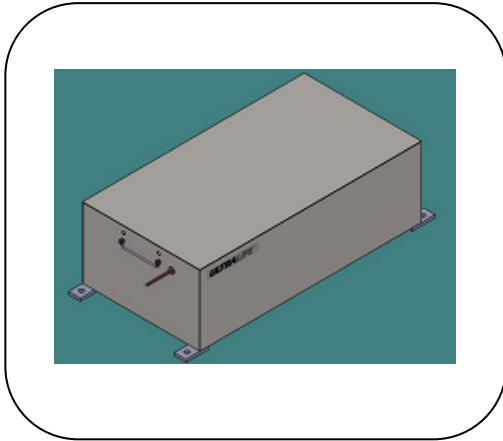
Nominal voltage	70.4 V
Nominal capacity	30 Ah
Max. charge current	5 A
Max. charge voltage	80.30 V
Cont. discharge	30 A Max
Life expectancy @ 25°C 0.2C Charge/0.2C Discharge	>2000 cycles with min 80% of initial capacity
Energy	2.11 KWh

Safety Parameters PCM

Over-charge detection voltage	3650mV/cell ± 0.025 Volts
Over-discharge detection voltage	2500mV/cell ± 0.063 Volts
Operating temperature	0°C to 45°C (charge) -20°C to 60°C (discharge)
Storage temperature	-20°C to 60°C max -20°C to 20°C recommended

Physical Parameters

Length	475mm
Width	250mm
Height	150mm
Weight	27 Kgs
Contacts Output	Flying Leads
Enclosure	Sheet Metal Powder coated



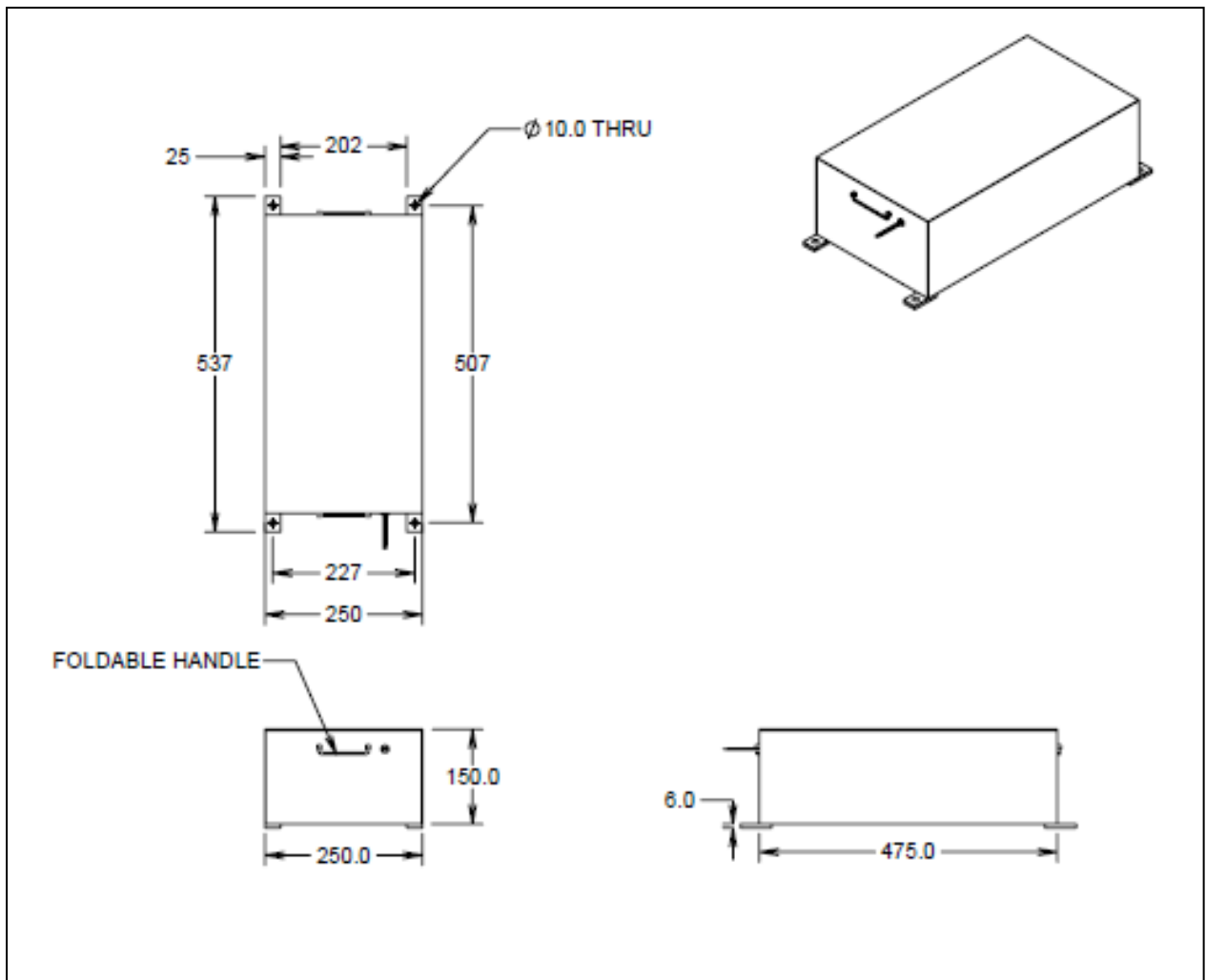
Features

- High energy density.
- Built-in Protection Module
- Comprehensive charging/ discharging and passive safety systems.

Application

- Suitable for use in Lighting System, EV and Back-Up Systems

Dimensional Drawing



UI22H20001

Ultralife Batteries India Private Limited

No. 38B1 Part, Doddanakundi Industrial Area, 1st Phase, Mahadevapura, Bangalore 560 048

Phone : +91 80 28524680 , +91 80 28524690

17 Jul 2017 UI22H20001 Rev:0

Page 2 of 2