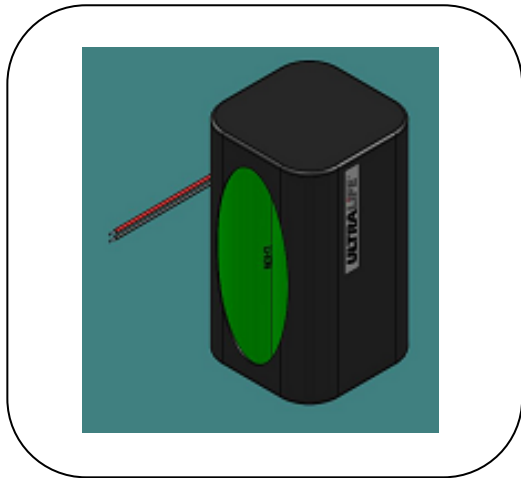


# ULIN104001 BATTERY

## Technical Datasheet

### Technical Specifications



### Features

- High energy density.
- Built-in Protection Module
- Comprehensive charging/discharging and passive safety systems.

### Application

- Suitable for use with Communication Systems and for Medical application

Part No.	ULIN104001
Battery	Li-Ion Rechargeable
<b>Electrical Parameters</b>	
Nominal voltage	3.7V
Nominal capacity	11.6 Ah
Max. charge current	1630mA
Max. charge voltage	4.2V
Cont. discharge	3400mA
Peak discharge	3400mA
Life expectancy @ 25°C 0.2C Charge/0.2C Discharge	>300 cycles with min 80% of initial capacity
Energy	42.92Wh

### Safety Parameters PCM

Over-charge detection voltage	4350mV/cell ± 0.025 Volts
Over-discharge detection voltage	2350mV/cell ± 0.10 Volts
Operating temperature	0°C to 45°C (charge) -20°C to 60°C (discharge)
Storage temperature	-20°C to 60°C max -20°C to 20°C recommended

### Physical Parameters

Length	68mm
Width	40mm
Height	42mm
Weight	200g
Contacts	Flying leads
Enclosure	PVC Shrink Wrap

ULIN104001

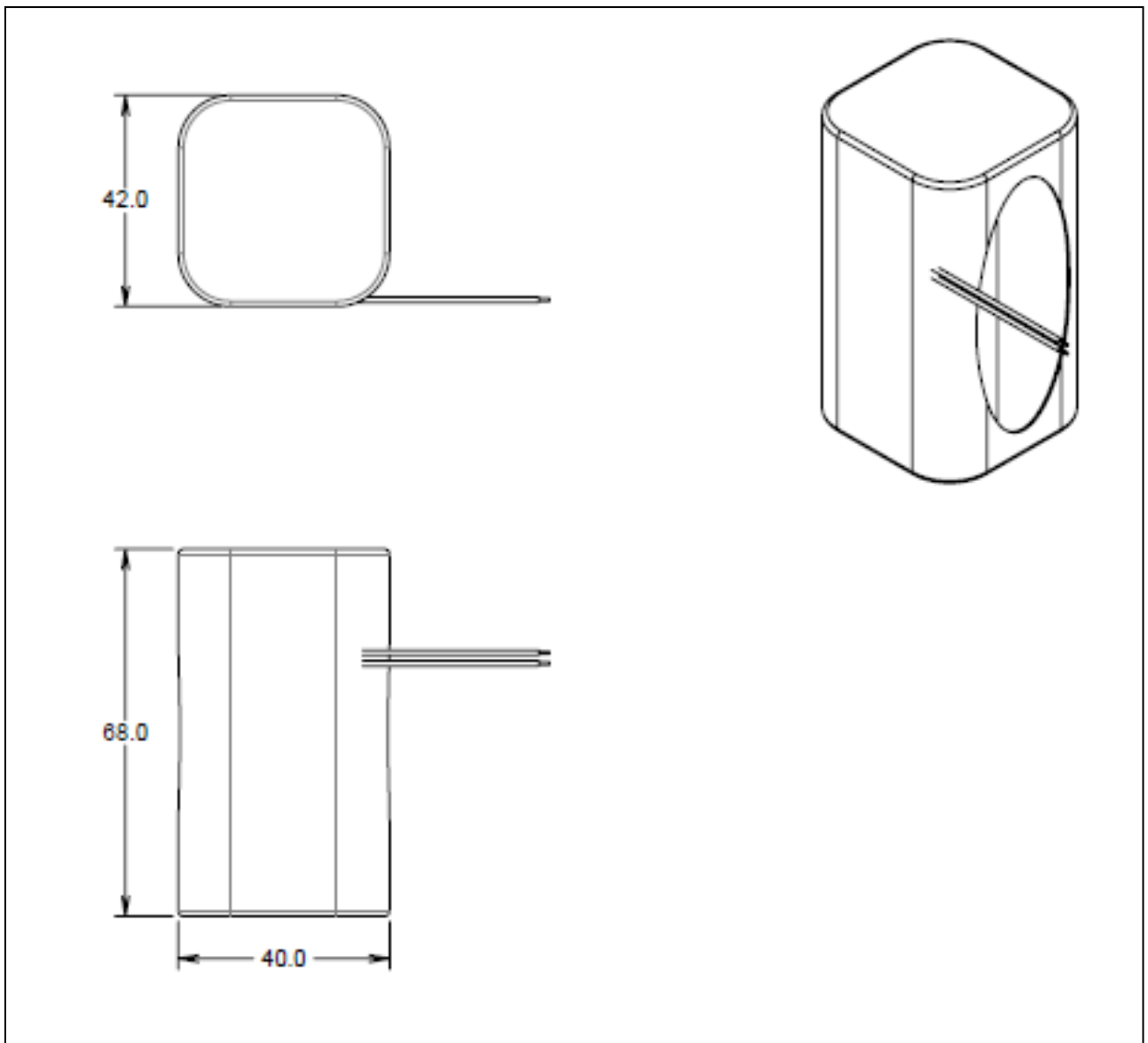
Ultralife Batteries India Private Limited

No. 38B1 Part, Doddanakundi Industrial Area, 1st Phase, Mahadevapura, Bangalore 560 048

Phone : +91 80 28524680 , +91 80 28524690

26 Dec 2017 ULIN104001 Rev:0

# Dimensional Drawing



ULIN104001

Ultralife Batteries India Private Limited

No. 38B1 Part, Doddanakundi Industrial Area, 1st Phase, Mahadevapura, Bangalore 560 048

Phone : +91 80 28524680 , +91 80 28524690

26 Dec 2017 ULIN104001 Rev:0