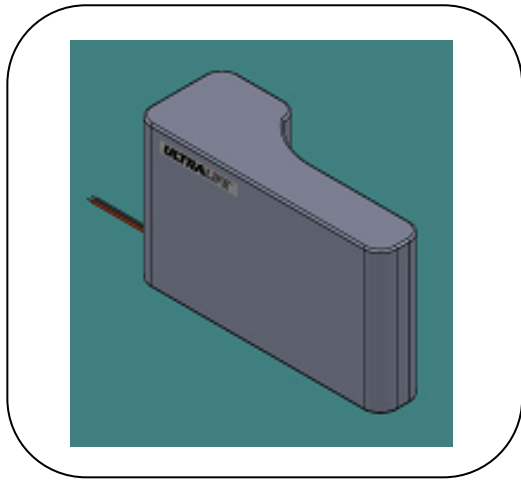


# ULIN202011 BATTERY

## Technical Datasheet



### Features

- High energy density.
- Built-in Protection Module
- Comprehensive charging/ discharging and passive safety systems.

### Application

- Suitable for use with Communication Systems and for Medical application

### Technical Specifications

Part No.	ULIN202011
Battery	Li-Ion Rechargeable

#### Electrical Parameters

Nominal voltage	7.4V
Nominal capacity	11600mAh
Max. charge current	4000mA
Max. charge voltage	8.4V
Cont. discharge	6500mA
Peak discharge	6500mA
Life expectancy @ 25°C 0.2C Charge/0.2C Discharge	>300 cycles with min 80% of initial capacity
Energy	85.84Wh

#### Safety Parameters PCM

Over-charge detection voltage	4350mV/cell ± 0.025 Volts
Over-discharge detection voltage	2350mV/cell ± 0.10 Volts
Operating temperature	0°C to 45°C (charge) -20°C to 60°C (discharge)
Storage temperature	-20°C to 60°C max -20°C to 20°C recommended

#### Physical Parameters

Length	110mm
Width	40mm
Height	56mm
Weight	410g
Contacts	Flying leads
Enclosure	PVC Shrink Wrap

ULIN202011

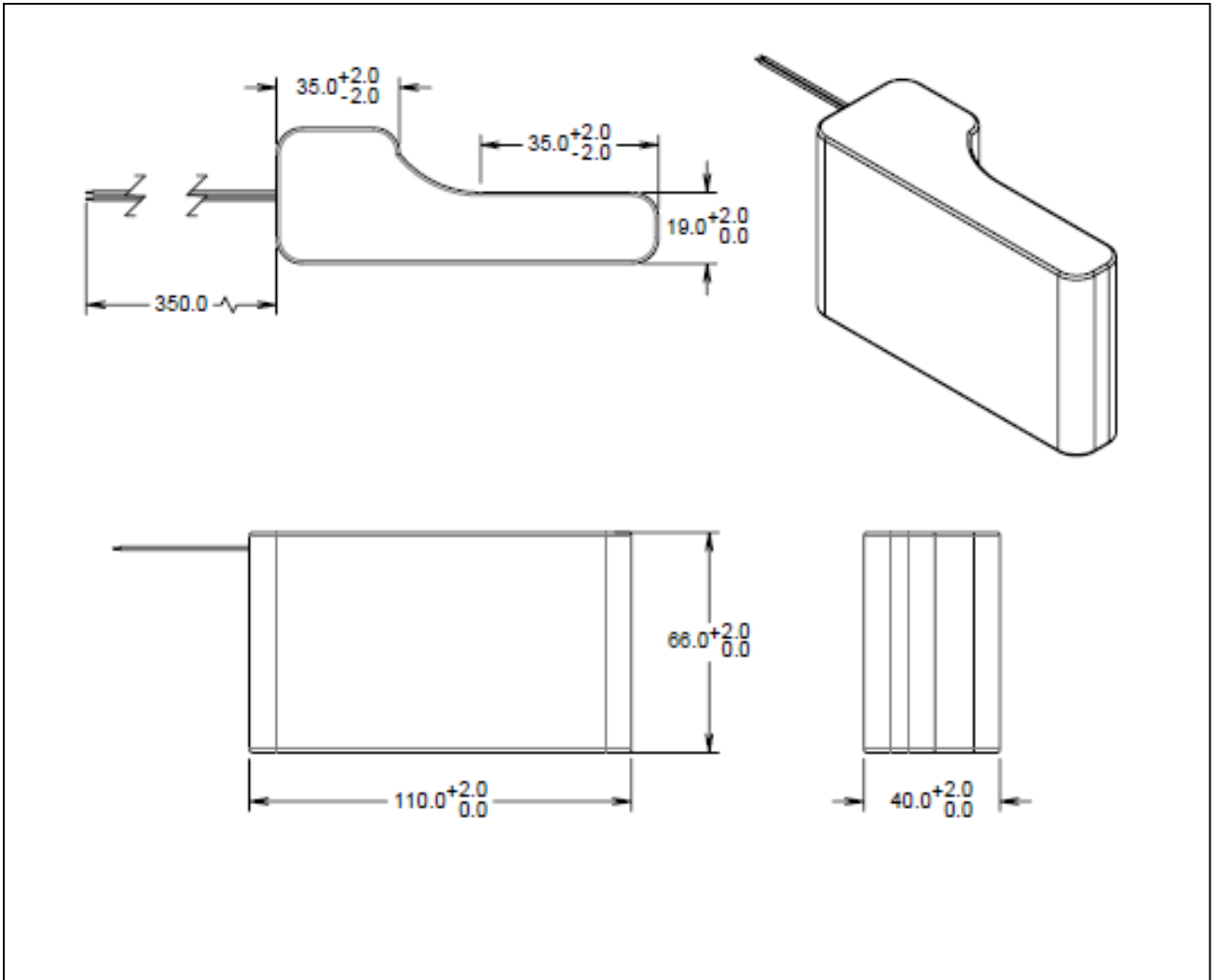
Ultralife Batteries India Private Limited

No. 38B1 Part, Doddanakundi Industrial Area, 1st Phase, Mahadevapura, Bangalore 560 048

Phone : +91 80 28524680 , +91 80 28524690

22 Apr 2016 ULIN202011 Rev:0

# Dimensional Drawing



ULIN202011

Ultralife Batteries India Private Limited

No. 38B1 Part, Doddanakundi Industrial Area, 1st Phase, Mahadevapura, Bangalore 560 048

Phone : +91 80 28524680 , +91 80 28524690

22 Apr 2016 ULIN202011 Rev:0