

ULIN301008 BATTERY

Technical Datasheet

Technical Specifications



Part No.	ULIN301008
Battery	Li-Ion Rechargeable
Electrical Parameters	
Nominal voltage	11.1V
Nominal capacity	2.9 Ah
Max. charge current	1630mA
Max. charge voltage	4.2V
Cont. discharge	2600mA
Peak discharge	2600mA
Life expectancy @ 25°C 0.2C Charge/0.2C Discharge	>300 cycles with min 80% of initial capacity
Energy	32.19Wh

Features

- High energy density.
- Built-in Protection Module
- Comprehensive charging/ discharging and passive safety systems.

Application

- Suitable for use with Communication Systems and for Medical application

Safety Parameters PCM

Over-charge detection voltage	4350mV/cell ± 0.025 Volts
Over-discharge detection voltage	2350mV/cell ± 0.10 Volts
Operating temperature	0°C to 45°C (charge) -20°C to 60°C (discharge)
Storage temperature	-20°C to 60°C max -20°C to 20°C recommended

Physical Parameters

Length	68mm
Width	56mm
Height	22mm
Weight	155g
Contacts	Flying leads
Enclosure	PVC Shrink Wrap

ULIN301008

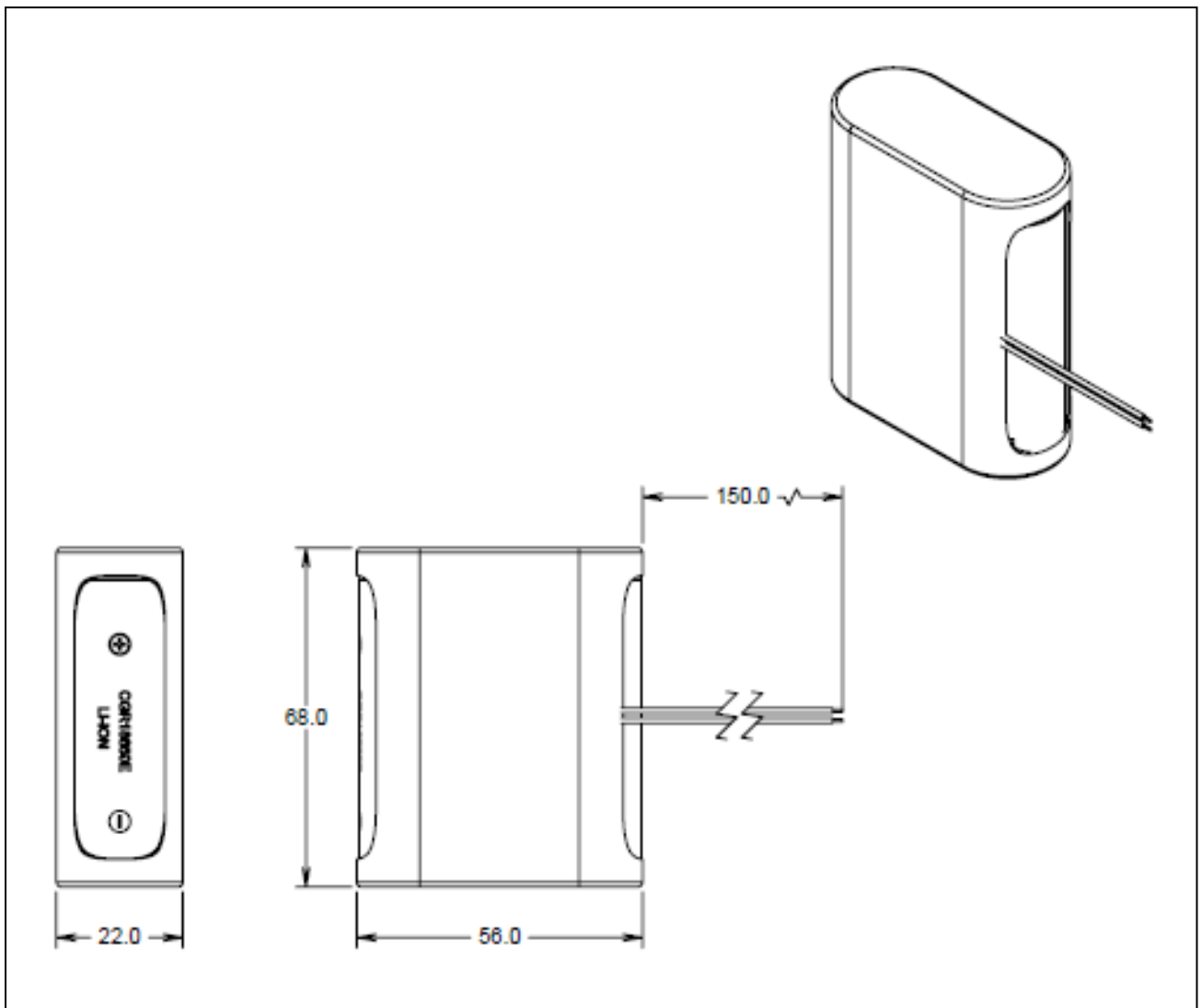
Ultralife Batteries India Private Limited

No. 38B1 Part, Doddanakundi Industrial Area, 1st Phase, Mahadevapura, Bangalore 560 048

Phone : +91 80 28524680 , +91 80 28524690

28 Apr 2009 ULIN301008 Rev:0

Dimensional Drawing



ULIN301008

Ultralife Batteries India Private Limited

No. 38B1 Part, Doddanakundi Industrial Area, 1st Phase, Mahadevapura, Bangalore 560 048

Phone : +91 80 28524680 , +91 80 28524690

28 Apr 2009 ULIN301008 Rev:0