

# ULIN401CH2

## Technical Datasheet - Tentative

### Technical Specifications

Part No.	ULIN401CH2
Product	Battery and built in charger

### Electrical Parameters

Input Voltage VDC	19~24 VDC
Output Voltage	12~16.8 VDC
Output current	2900 Amps
Built in Charger	Yes
Built in Battery	Yes
Regulated Output	Yes
Output Ports	One VDC
Power Indicator	Yes

### Battery Parameters

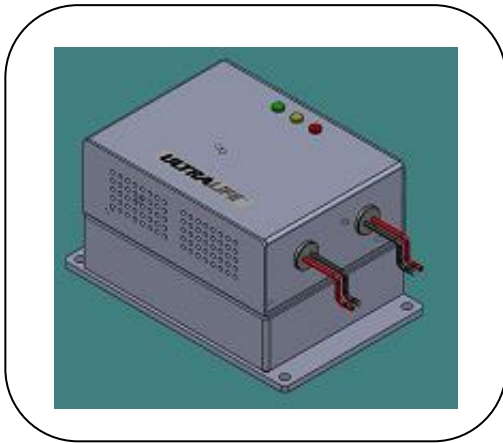
Battery Voltage	14.8 volts
Battery Capacity	2.9 Ah
No. Of Batteries	1 nos
Life expectancy @ 25°C 0.2C Charge/0.2C Discharge	>300 cycles with min 80% of initial capacity
Energy	42.92 Wh

### Safety Parameters Battery PCM

Over-charge detection voltage	4350mV/cell ± 0.025 Volts
Over-discharge detection voltage	2350mV/cell ± 0.10 Volts
Operating temperature	0°C to 45°C (charge) -20°C to 60°C (discharge)
Storage temperature	-20°C to 60°C max -20°C to 20°C recommended

### Physical Parameters

Length	100mm
Width	76mm
Height	52mm
Output Wire Length	Teflon Wire
Input Wire length	Teflon Wire
Enclosure	Plastic Enclosure



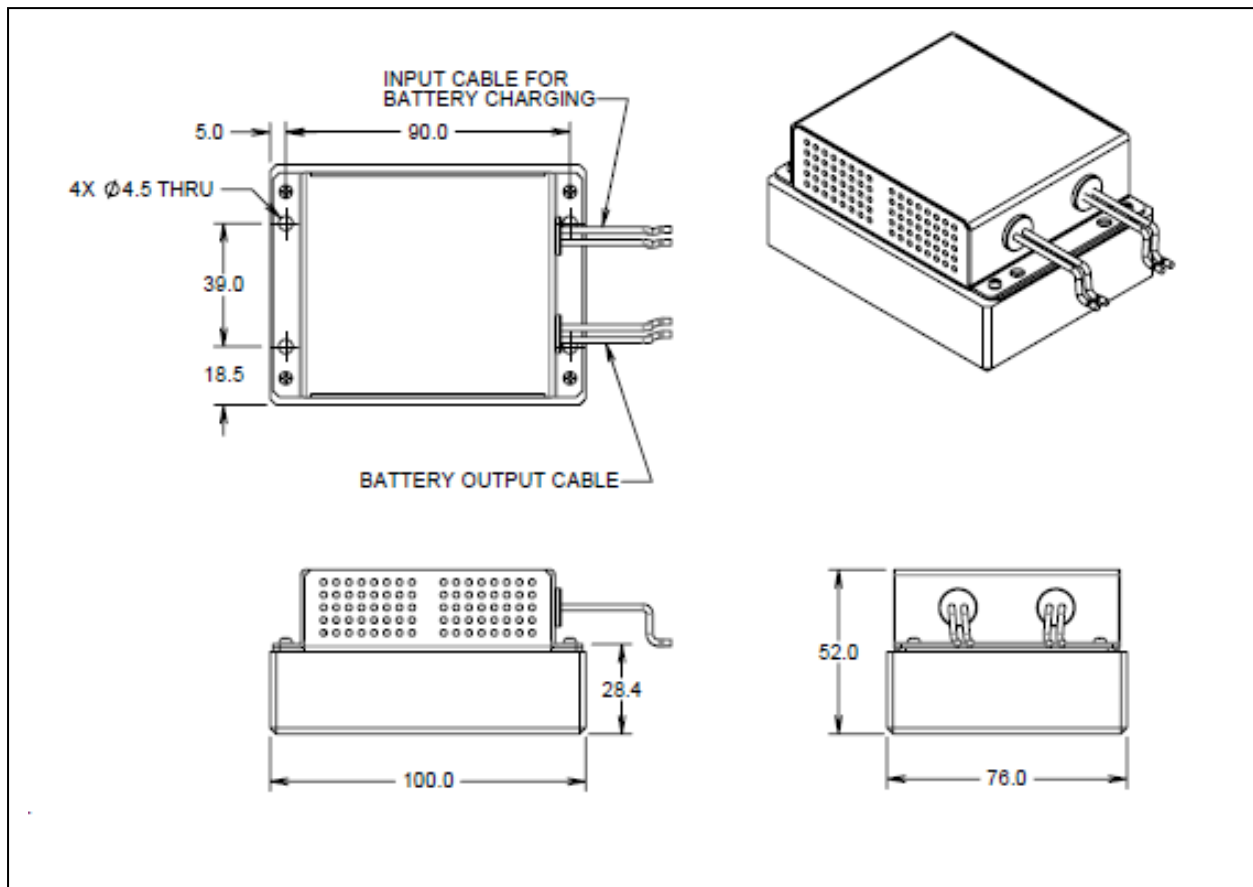
### Features of Battery

- High energy density.
- Built-in Protection Module
- Comprehensive charging/ discharging and passive safety systems.

### Application

- Battery up system Radiation Gas Analyzer.

# Dimensional Drawing



ULIN401CH2

Ultralife Batteries India Private Limited

No. 38B1 Part, Doddanakundi Industrial Area, 1st Phase, Mahadevapura, Bangalore 560 048

Phone : +91 80 28524680 , +91 80 28524690

25 Jan 2019 ULIN401CH2 Rev:0

Page 2 of 2