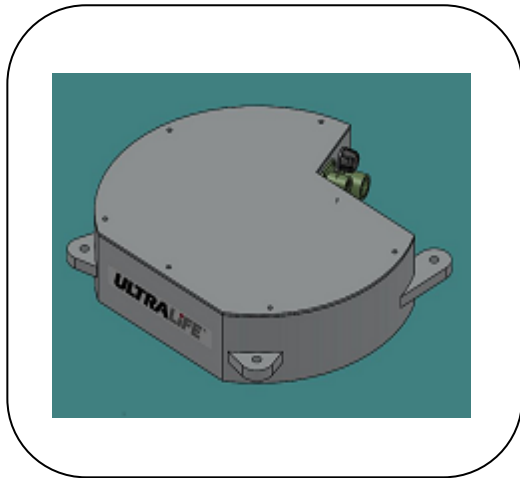


ULIN403H06 BATTERY

Technical Datasheet



Features

- High energy density.
- Built-in Protection Module for the battery
- SMBus Interface V 1.1
- Comprehensive charging/ discharging and passive safety systems.

Application

- Suitable for use with Marine Systems and Robotics application

Technical Specifications

Part No.	ULIN403H06
Battery	Li-Ion Rechargeable
Electrical Parameters	
Voltage Range	30 V Mode: 24 to 33.6 V 15V Mode: 12 to 16.8 V
Average Voltage	30V Mode: 29.6 V 15V Mode: 14.8 V
Capacity	30V Mode: 8.7 Ah @500mA@23°C 15V Mode: 17.4Ah @1A@23°C
Max Charging Current	3000mA per Section
Max. Charging Voltage	14.8 V per Section
Cont. Discharge Current	30V Mode: 6Amps 15V Mode: 12Amps
Max. Discharge Current	30V Mode: 18A for 5 Sec 15V Mode: 36A for 5 Sec
Battery Life expectancy @ 25°C 0.2C Charge/0.2C Discharge	>300 cycles with min 80% of initial capacity
Battery Energy	128.76 Wh per section

Safety Parameters PCM

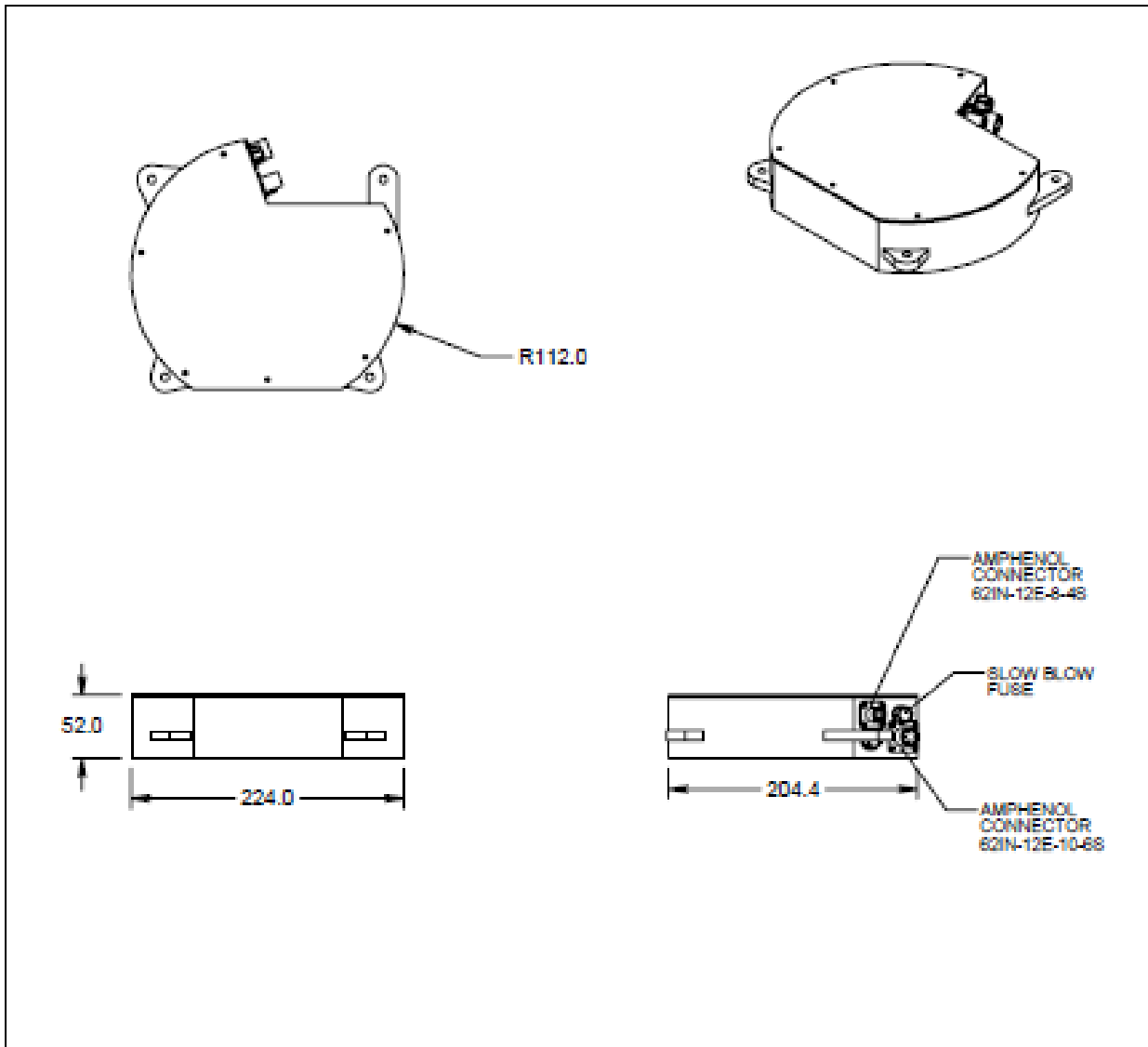
Over-charge detection voltage	4250mV/cell ± 0.05 Volts
Over-discharge detection voltage	2400mV/cell ± 0.05 Volts
Operating temperature	0°C to 45°C (charge) -20°C to 60°C (discharge)
Storage temperature	-20°C to 60°C max 0°C to 20°C recommended

Physical Dimensions

Length	224mm
Width	204.4mm
Height	52mm
Weight	2900g
Contacts	Connector
Enclosure	Hard casing

Note: Each section should charge independently and while connecting in series, ensures the two-section voltage should be the same.

Dimensional Drawing



ULIN403H06

Ultralife Batteries India Private Limited

No. 38B1 Part, Doddanakundi Industrial Area, 1st Phase, Mahadevapura, Bangalore 560 048

Phone : +91 80 28524680 , +91 80 28524690

23 July 2013 ULIN403H06 Rev:0

Page 2 of 2