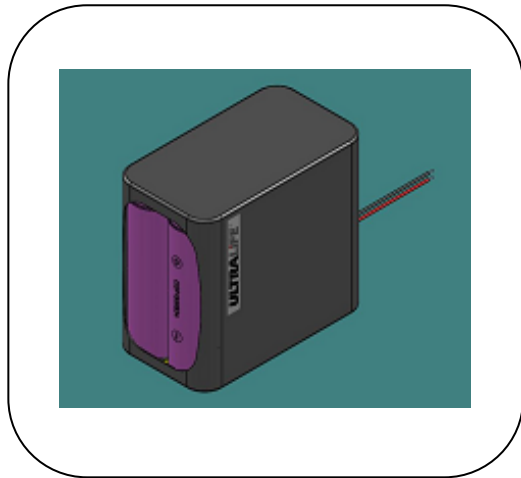


ULIN404004 BATTERY

Technical Datasheet

Technical Specifications



Features

- High energy density.
- Built-in Protection Module
- Comprehensive charging/ discharging and passive safety systems.

Application

- Suitable for use with Communication Systems and for Medical application

Part No.	ULIN404004
Battery	Li-Ion Rechargeable

Electrical Parameters	
Nominal voltage	14.8V
Nominal capacity	11.6 Ah
Max. charge current	2000mA
Max. charge voltage	4.2V
Cont. discharge	3500mA
Peak discharge	3500mA
Life expectancy @ 25°C 0.2C Charge/0.2C Discharge	>300 cycles with min 80% of initial capacity
Energy	171.68Wh

Safety Parameters PCM

Over-charge detection voltage	4350mV/cell ± 0.025 Volts
Over-discharge detection voltage	2350mV/cell ± 0.10 Volts
Operating temperature	0°C to 45°C (charge) -20°C to 60°C (discharge)
Storage temperature	-20°C to 60°C max -20°C to 20°C recommended

Physical Parameters

Length	78mm
Width	82mm
Height	68mm
Weight	820g
Contacts	Flying leads
Enclosure	PVC Shrink Wrap

ULIN404004

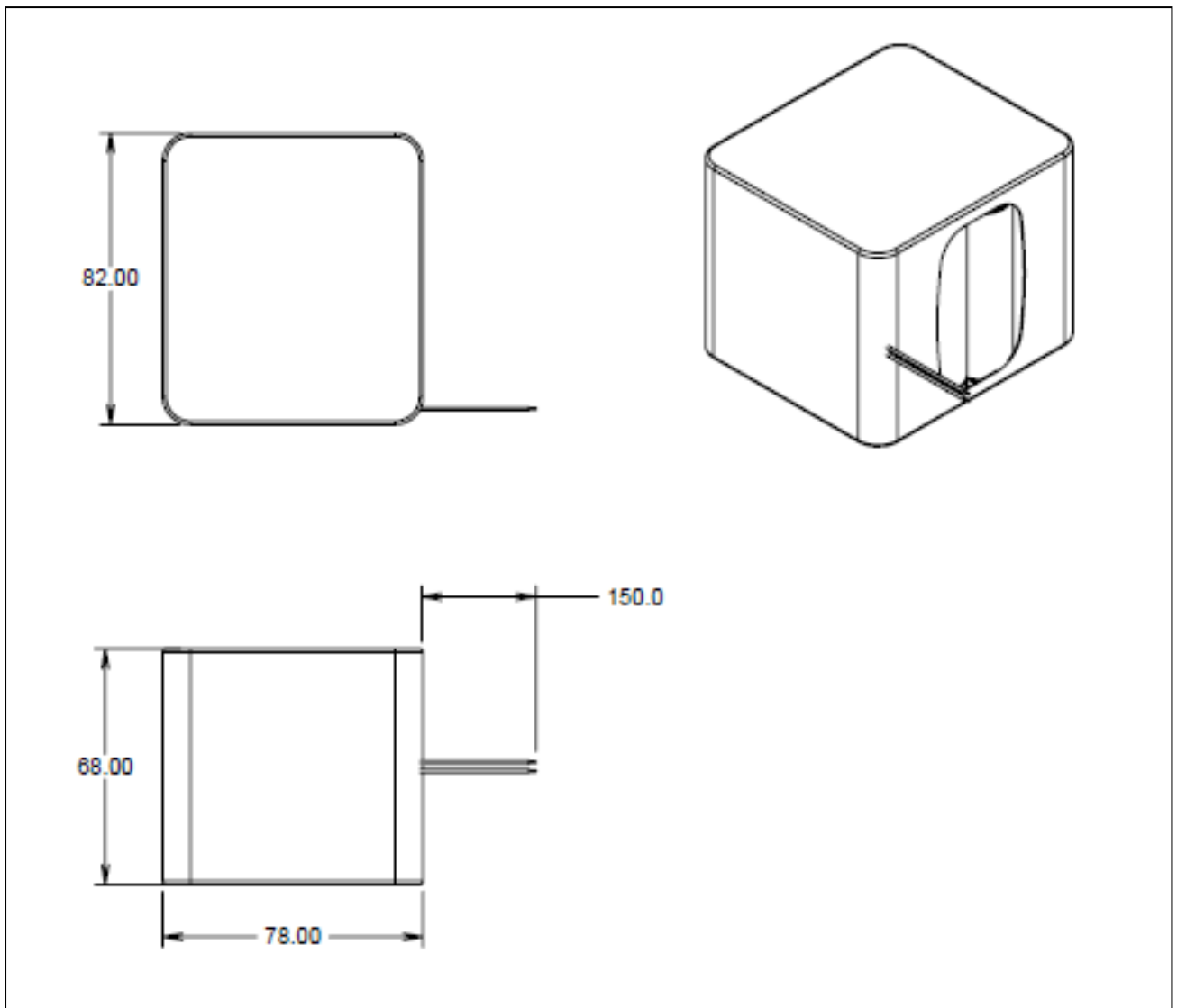
Ultralife Batteries India Private Limited

No. 38B1 Part, Doddanakundi Industrial Area, 1st Phase, Mahadevapura, Bangalore 560 048

Phone : +91 80 28524680 , +91 80 28524690

10 Jul 2012 ULIN404004 Rev:0

Dimensional Drawing



ULIN404004

Ultralife Batteries India Private Limited

No. 38B1 Part, Doddanakundi Industrial Area, 1st Phase, Mahadevapura, Bangalore 560 048

Phone : +91 80 28524680 , +91 80 28524690

10 Jul 2012 ULIN404004 Rev:0