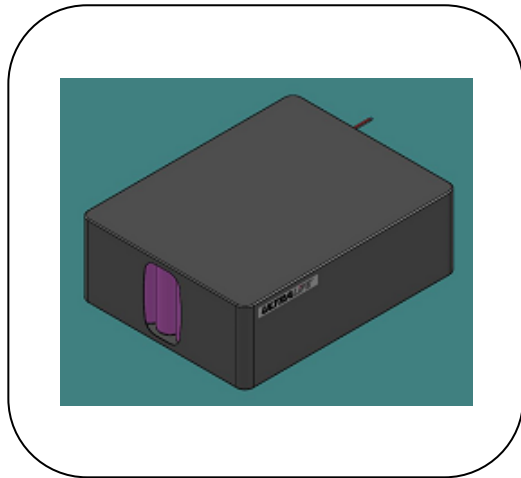


ULIN4S5004 BATTERY

Technical Datasheet

Technical Specifications



Part No.	ULIN4S5004
Electrical Parameters	
Nominal Voltage	14.8V
Nominal Capacity	52Ah
Max Charging Current	4000mA
Max. Charging Voltage	16.8 V
Cont. Discharge Current	7000mA
Pulse Discharge Current	6700mA
Battery Life expectancy @ 25°C 0.2C Charge/0.2C Discharge	>300 cycles with min 80% of initial capacity
Battery Energy	769.6 Wh

Features

- High energy density.
- Built-in Protection Module for the battery
- Comprehensive charging/ discharging and passive safety systems.

Application

- Suitable for use with Communication Systems, Medical application and Lighting application

Safety Parameters PCM

Over-charge detection voltage	4250mV/cell ± 0.05 Volts
Over-discharge detection voltage	2400mV/cell ± 0.05 Volts
Operating temperature	0°C to 45°C (charge) -20°C to 60°C (discharge)
Storage temperature	-20°C to 60°C max 0°C to 20°C recommended

Physical Dimensions

Length	200mm
Width	155mm
Height	68mm
Weight	4000g
Contacts	Flying leads
Enclosure	PVC Shrink Warp

ULIN4S5004

Ultralife Batteries India Private Limited

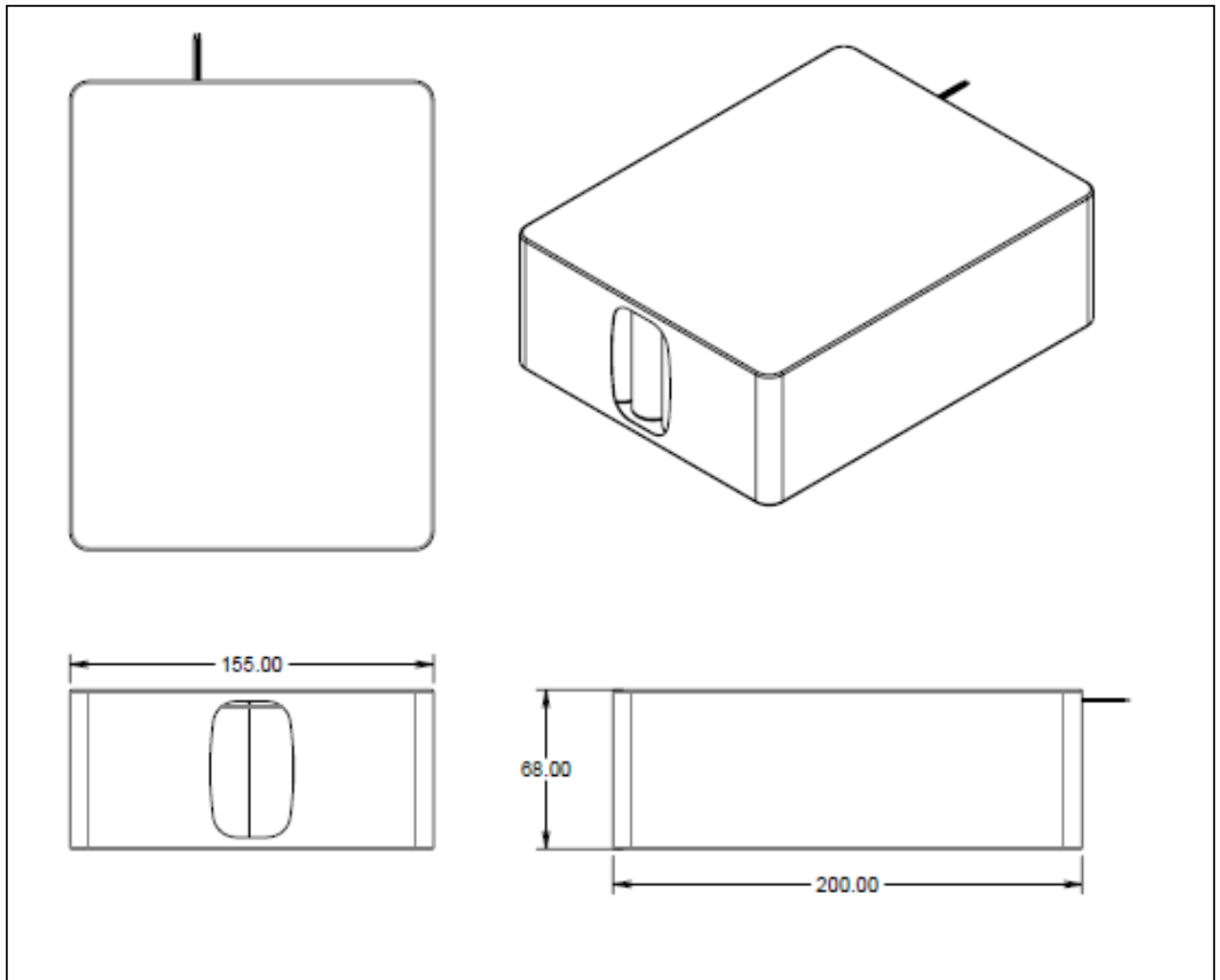
No. 38B1 Part, Doddanakundi Industrial Area, 1st Phase, Mahadevapura, Bangalore 560 048

Phone : +91 80 28524680 , +91 80 28524690

19 Feb 16 ULIN4S5004 Rev:0

Page 1 of 2

Dimensional Drawing



ULIN4S5004

Ultralife Batteries India Private Limited

No. 38B1 Part, Doddanakundi Industrial Area, 1st Phase, Mahadevapura, Bangalore 560 048

Phone : +91 80 28524680 , +91 80 28524690

19 Feb 16 ULIN4S5004 Rev:0

Page 2 of 2