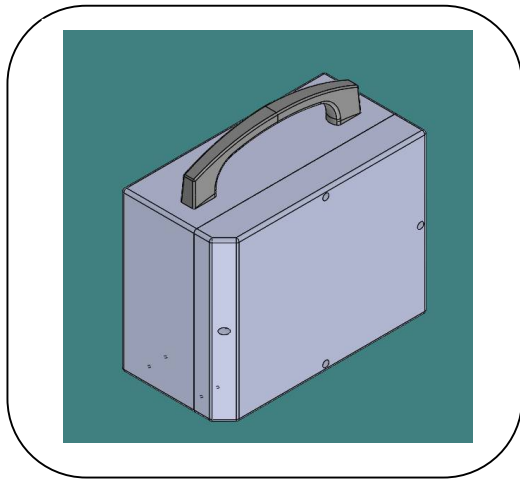


ULIN705H01 BATTERY

Technical Datasheet



Technical Specifications

Part No.	ULIN705H01
Electrical Parameters	
Nominal Voltage	25.2V
Nominal Capacity	14500mAh
Max Charging Current	5000mA
Max. Charging Voltage	29.4 V
Cont. Discharge Current	12000mA
Pulse Discharge Current	30000mA for 30 Sec
Battery Life expectancy @ 25°C 0.2C Charge/0.2C Discharge	>500 cycles with min 80% of initial capacity
Battery Energy	365.40 Wh

Features

- High energy density.
- Built-in Protection Module for the battery
- Comprehensive charging/ discharging and passive safety systems.

Application

- Suitable for use with Communication Systems, Medical application and Lighting application

Safety Parameters PCM

Over-charge detection voltage	4250mV/cell ± 0.05 Volts
Over-discharge detection voltage	2400mV/cell ± 0.05 Volts
Short Circuit Protection	40A+/- 5A, Cutoff time 14~26mSec
Operating temperature	0°C to 45°C (charge) -20°C to 70°C (discharge)
Storage temperature	-20°C to 60°C max 0°C to 20°C recommended

Physical Dimensions

Length	145mm
Width	115mm
Height	75mm
Weight	2200g
Contacts	Connectors TYCO, P/N:787439-1
Enclosure	Delrin

ULIN705H01

Ultralife Batteries India Private Limited

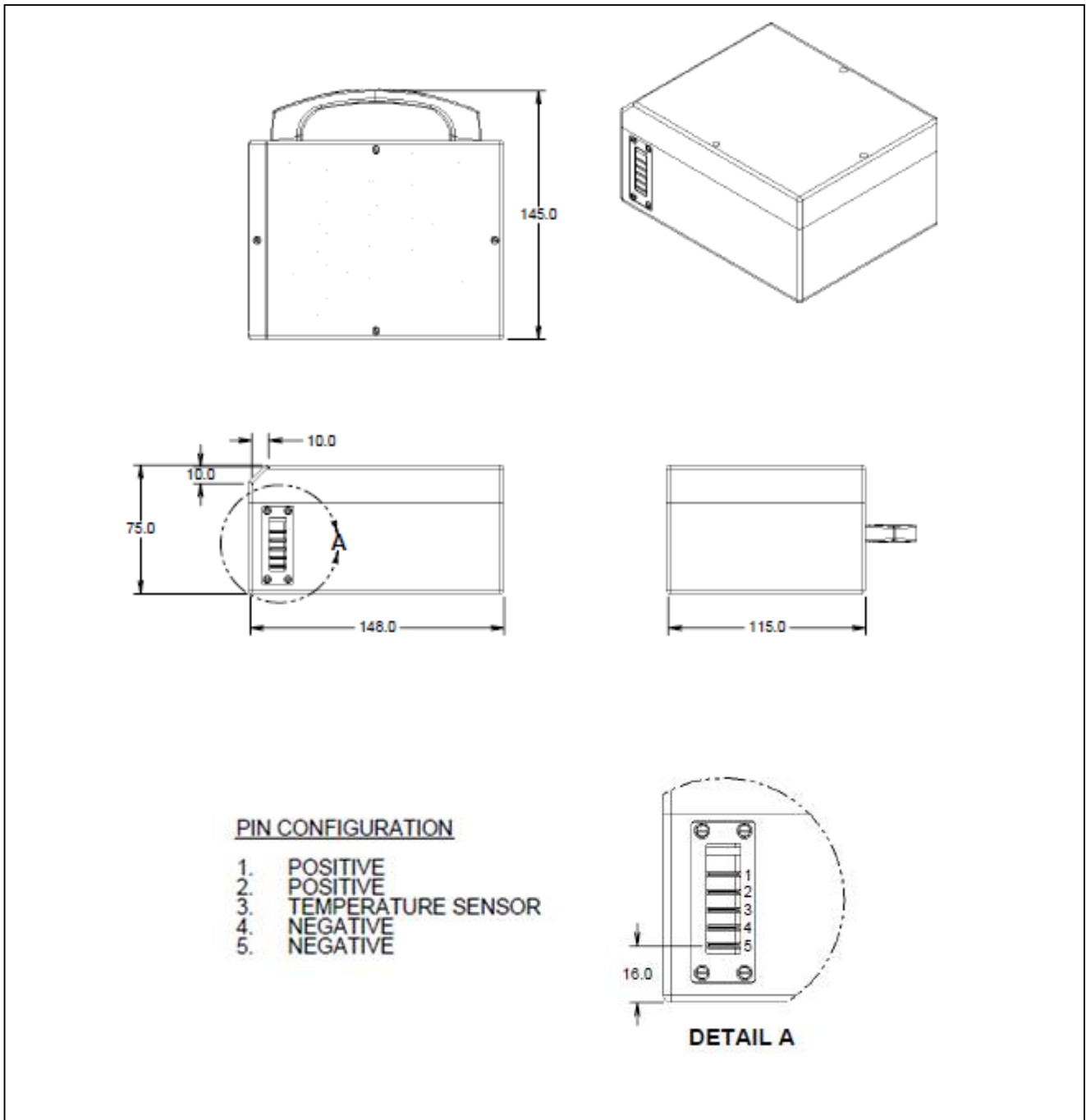
No. 38B1 Part, Doddanakundi Industrial Area, 1st Phase, Mahadevapura, Bangalore 560 048

Phone : +91 80 28524680 , +91 80 28524690

28 November18 ULIN705H01 Rev:1

Page 1 of 2

Dimensional Drawing



ULIN705H01

Ultralife Batteries India Private Limited

No. 38B1 Part, Doddanakundi Industrial Area, 1st Phase, Mahadevapura, Bangalore 560 048

Phone : +91 80 28524680 , +91 80 28524690

28 November18 ULIN705H01 Rev:1