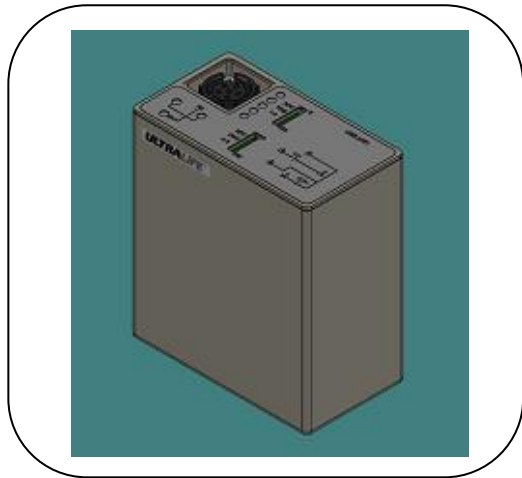


# ULIN09-01 BATTERY

## Technical Datasheet



### Features

- High energy density.
- Built-in Protection Module for the battery
- LCD Indication for SOC
- SMBus V.1.1
- Comprehensive charging/ discharging and passive safety systems.

### Application

- Rugged Portable Electronics
- Military Communication Devices
- Robotics, AUVs / UUVs

### Technical Specifications

Part No.	ULIN09-01
Battery	Li-Ion Rechargeable
<b>Electrical Parameters</b>	
Voltage Range	24V Mode: 18.0 to 25.2 V 12V Mode: 9.0 to 12.6 V
Average Voltage	24V Mode: 22.2 V 12V Mode: 11.1 V
Capacity	24V Mode: 12 Ah @500mA@23°C 12V Mode: 24 Ah @1000mA@23°C
Max Charging Current	3000mA per Section
Max. Charging Voltage	12.6V per Section
Cont. Discharge Current	24V Mode: 8 Amps 12V Mode: 16 Amps
Max. Discharge Current	24V Mode: 18A for 5 Sec 12V Mode: 36A for 5 Sec
Battery Life expectancy @ 25°C 0.2C Charge/0.2C Discharge	>300 cycles with min 80% of initial capacity
Battery Energy	266 Wh

### Safety Parameters PCM

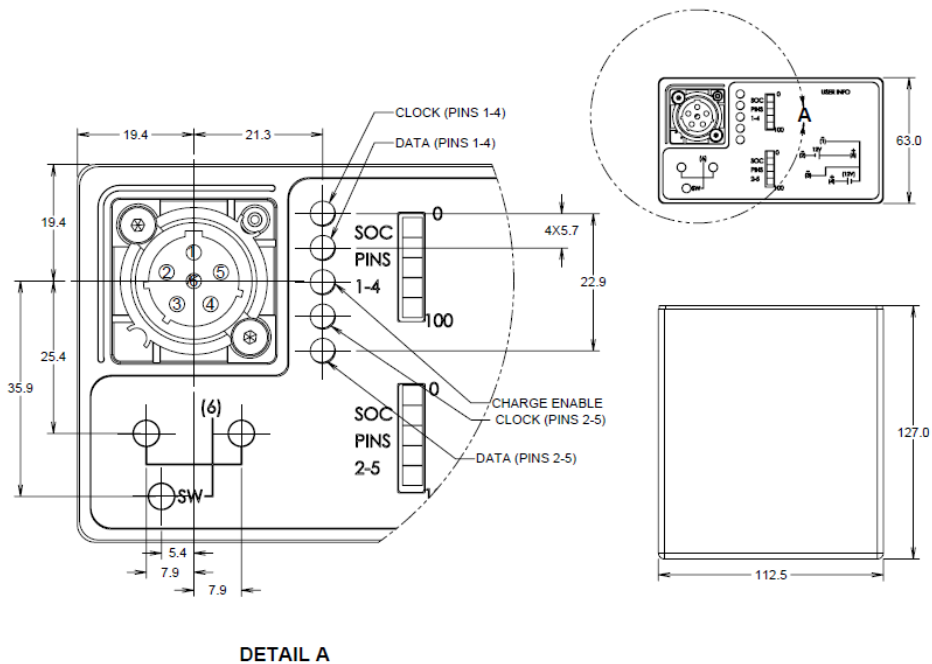
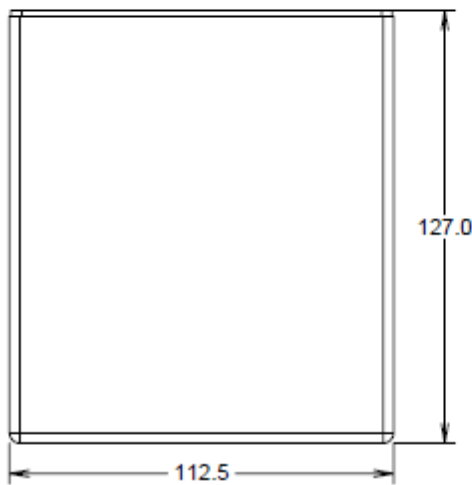
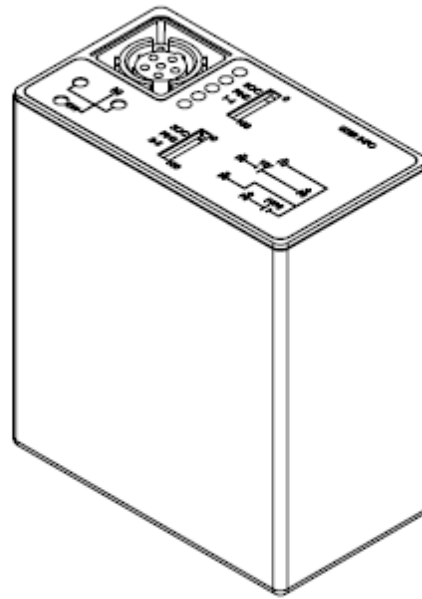
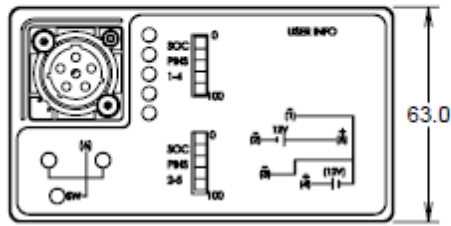
Over-charge detection voltage	4250mV/cell ± 0.05 Volts
Over-discharge detection voltage	2400mV/cell ± 0.05 Volts
Operating temperature	0°C to 45°C (charge) -20°C to 60°C (discharge)
Storage temperature	-20°C to 60°C max 0°C to 20°C recommended

### Physical Dimensions

Length	112.5 mm
Width	63 mm
Height	127 mm
Weight	1450 grms
Contacts	Connector – SC-C-179495, 6 Pin
Enclosure	Hard casing - Delrin

Note: Each section should charge independently and while connecting in series, ensures the two-section voltage should be the same.

# Dimensional Drawing



DETAIL A

ULIN09-01

Ultralife Batteries India Private Limited

No. 38B1 Part, Doddanakundi Industrial Area, 1st Phase, Mahadevapura, Bangalore 560 048

Phone : +91 80 28524680 , +91 80 28524690

08 Feb 2023 ULIN09-01 Rev:0