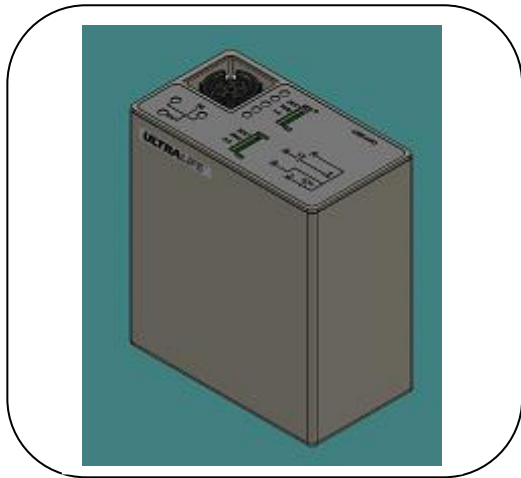


ULIN10-01 BATTERY

Technical Datasheet



Features

- High energy density.
- Built-in Protection Module for the battery
- LCD Indication for SOC
- SMBus 1.1V
- Comprehensive charging/ discharging and passive safety systems.

Application

- Rugged Portable Electronics
- Military Communication Devices
- Robotics, AUVs / UUVs

Technical Specifications

Part No.	ULIN10-01
Battery	Li-Ion Rechargeable
Electrical Parameters	
Voltage Range	30V Mode: 24.0 to 33.6 V 15V Mode: 12.0 to 16.8 V
Average Voltage	30V Mode: 29.6 V 15V Mode: 14.8 V
Capacity	30V Mode: 9 Ah @500mA@23°C 15V Mode: 18 Ah @1000mA@23°C
Max Charging Current	3000mA per Section
Max. Charging Voltage	16.8V per Section
Cont. Discharge Current	30V Mode: 10 Amps 15V Mode: 20 Amps
Max. Discharge Current	30V Mode: 18A for 5 Sec 15V Mode: 36A for 5 Sec
Battery Life expectancy @ 25°C 0.2C Charge/0.2C Discharge	>300 cycles with min 80% of initial capacity
Battery Energy	266 Wh

Safety Parameters PCM

Over-charge detection voltage	4250mV/cell ± 0.05 Volts
Over-discharge detection voltage	2400mV/cell ± 0.05 Volts
Operating temperature	0°C to 45°C (charge) -20°C to 60°C (discharge)
Storage temperature	-20°C to 60°C max 0°C to 20°C recommended

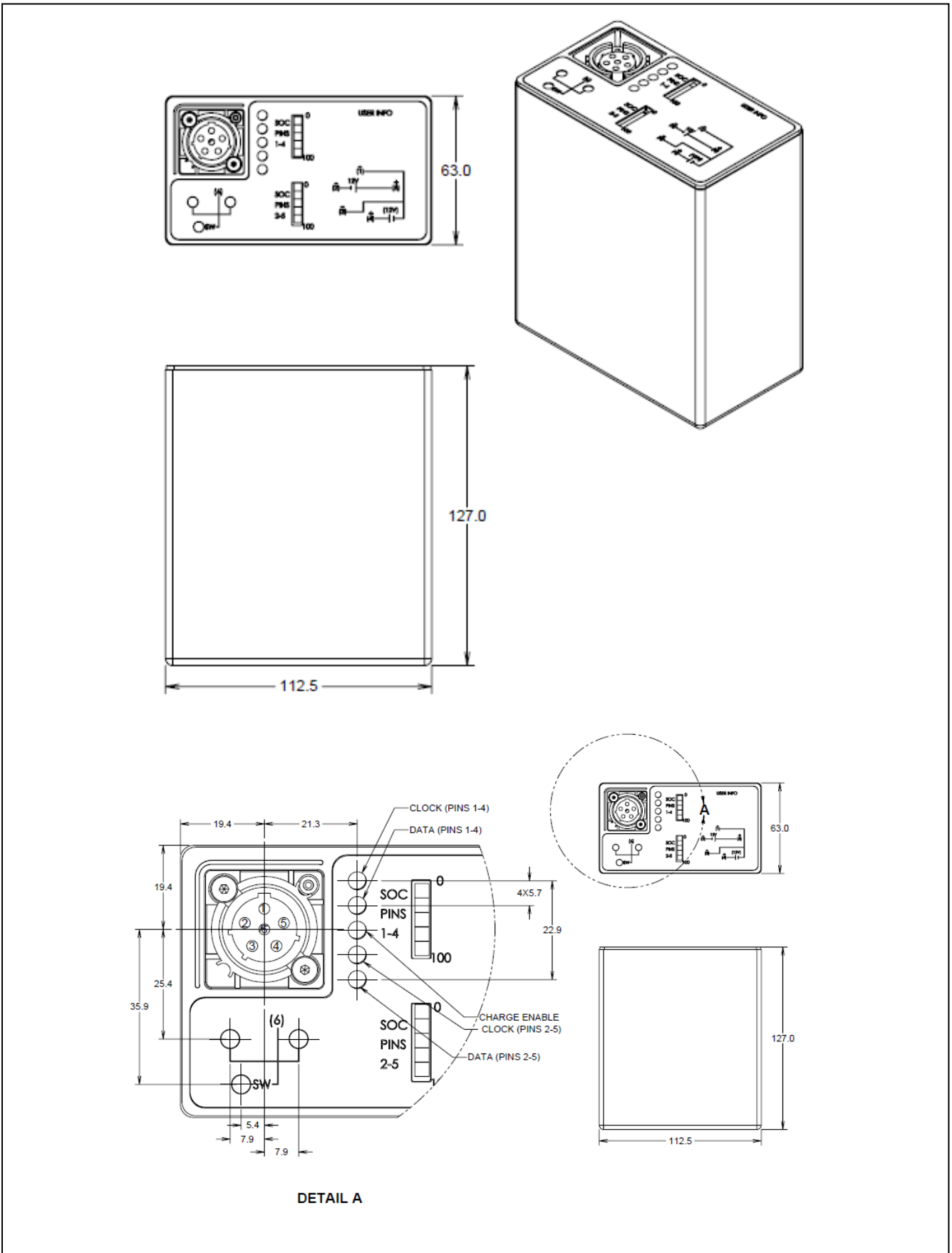
Physical Dimensions

Length	112.5 mm
Width	63 mm
Height	127 mm
Weight	1450 grms
Contacts	Connector – SC-C-179495, 6 Pin
Enclosure	Hard casing - Delrin

Note: a. Each section should charge independently and while connecting in series, ensures the two-section voltage should be the same.

b. Thermal Protection actuates before Voltage cutoff during 10A discharge in higher temperature

Dimensional Drawing



ULIN10-01

Ultralife Batteries India Private Limited

No. 38B1 Part, Doddanakundi Industrial Area, 1st Phase, Mahadevapura, Bangalore 560 048

Phone : +91 80 28524680 , +91 80 28524690

08 Feb 2023 ULIN10-01 Rev:0